

Solenoid Pump

CSS-02025



APPLICATIONS

- Espresso coffee machine
- Steam generator
- Steam Iron
- Steam vacuum cleaner
- Disco smoke generator

SPECIFICATIONS

COIL MOTOR

- CSS -E02025..... 220~240 VAC, 50Hz, 16W
- CSS-U02025..... 120VAC, 60Hz, 16W
- CSS-J02025.....100 VAC, 50/60Hz, 16W
- CSS-K02025.....220 VAC, 60Hz, 16W

Ideal fluid.....Water at 25°C

Flow rate at 0 bar.....100 cc/min

Obstructed pressure.....2.5 Bar (36,25PSI)

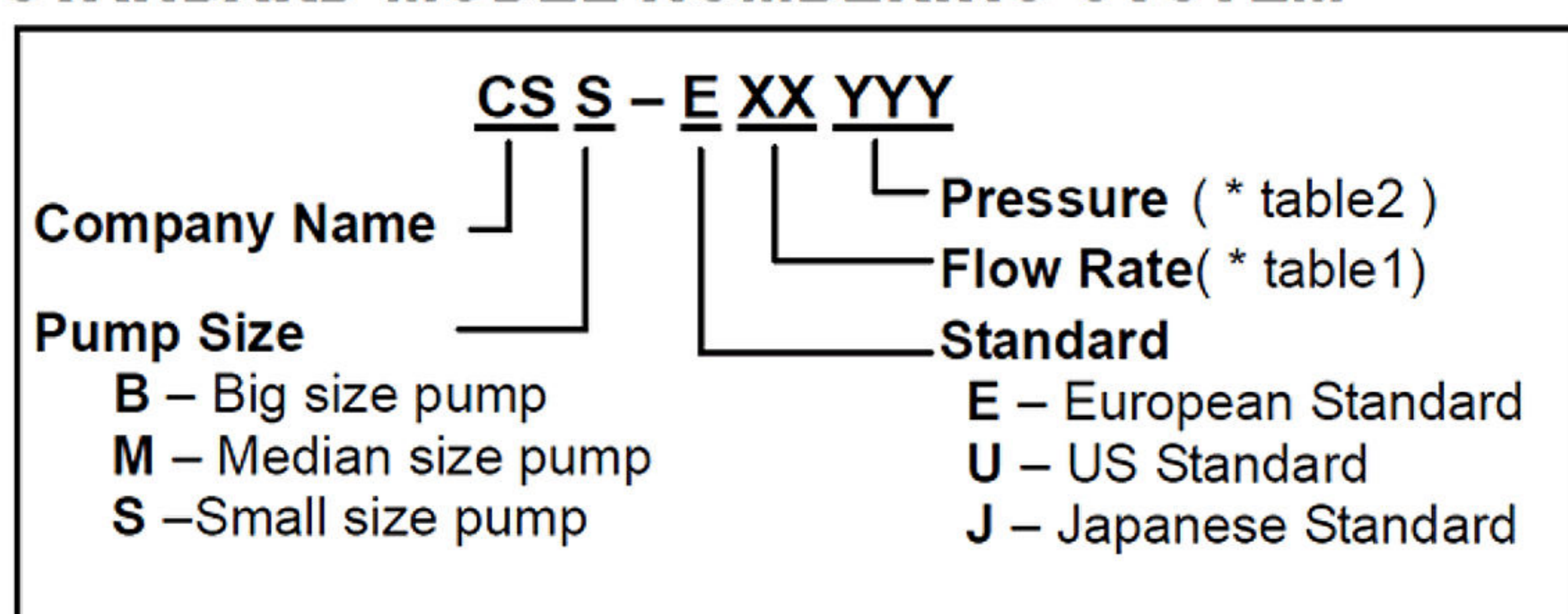
Suitable to dry-use only during priming

Working Condition & Cycle...Ta within 45°C, Tf within 35°C.

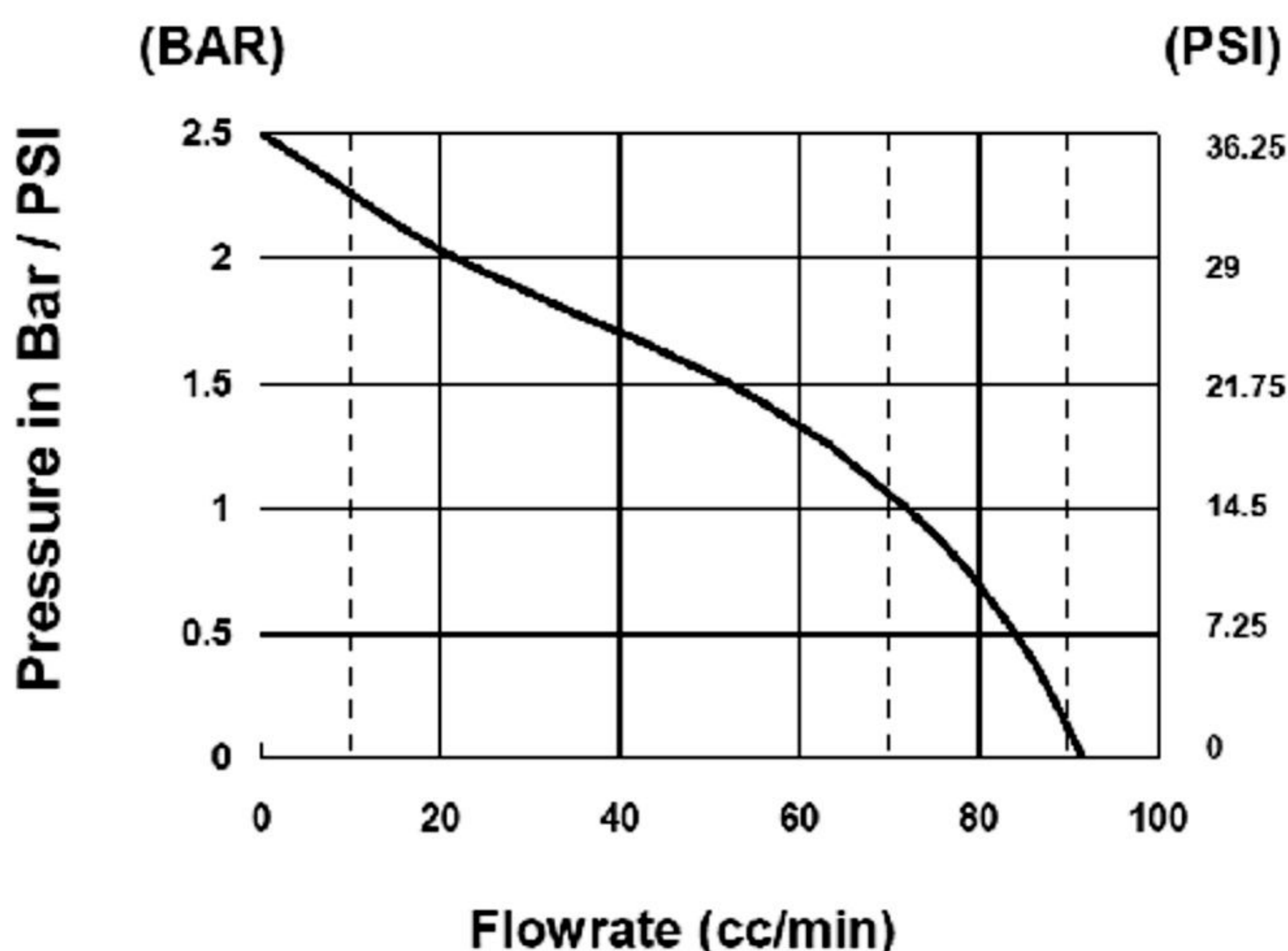
XX-The Code of Flow Rate(FR)		YYY-The Code of pressure(bar) table			
XX	FR (cc/min)	YYY	Pressure (BAR)	YYY	Pressure (BAR)
01	50	010	1.0	030	3.0
02	100	015	1.5	035	3.5
03	150	020	2.0	040	4.0
04	200	025	2.5		

STANDARD MODEL NUMBERING SYSTEM

STANDARD MODEL NUMBERING SYSTEM



CURVE



DIMENSION

Mechanical Drawing & Dimension

Model: CSS-02025

