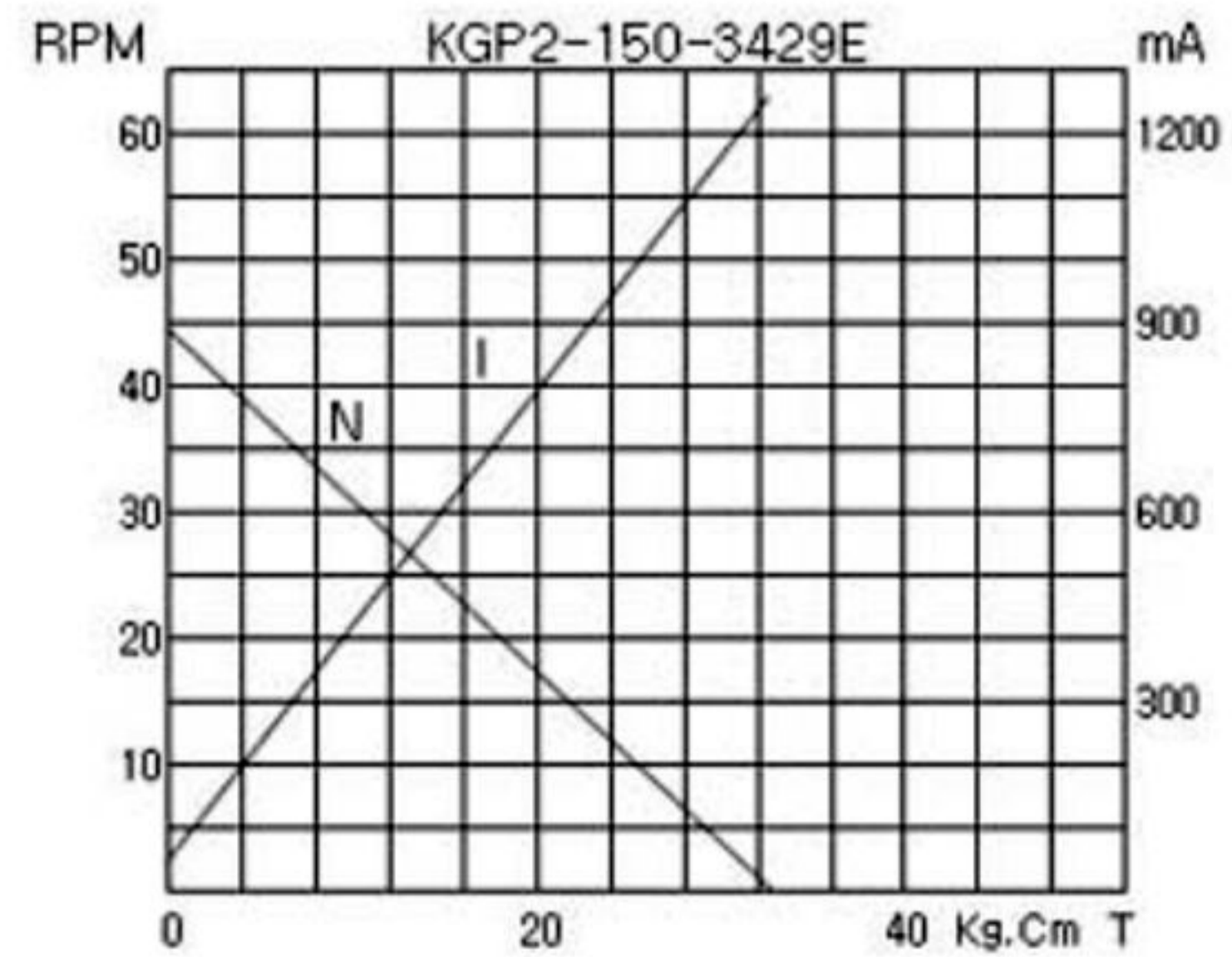
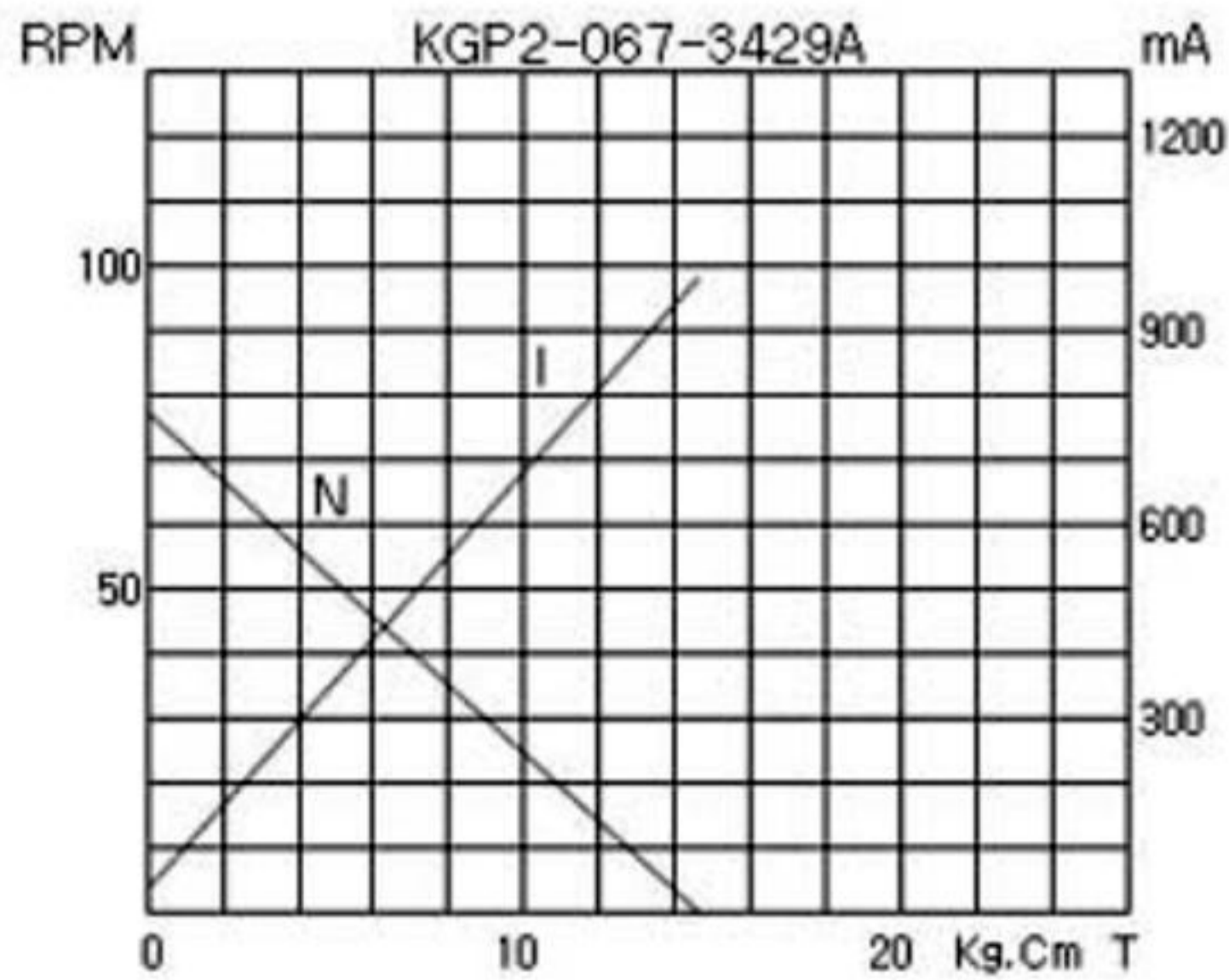
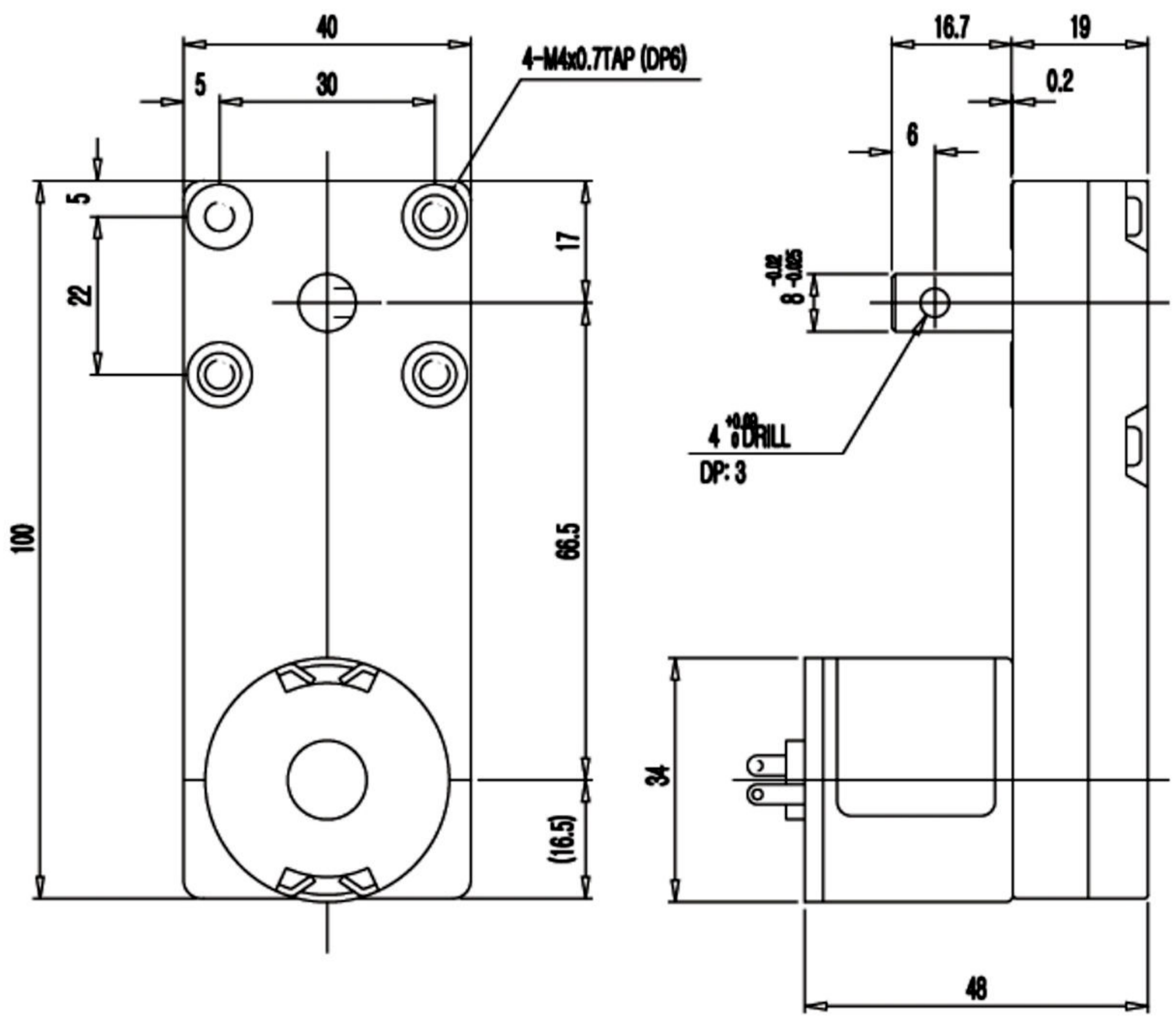


SMALL DC GEARED MOTOR

KGP2-3429



DIMENSIONS



AT MAXIMUM EFFICIENCY

GEAR / MOTOR	KM3429A(24VDC)		KM3429B(24VDC)		KM3429C(12VDC)		KM3429D(24VDC)		KM3429E(24VDC)	
	RPM	Kg.Cm	RPM	Kg.Cm	RPM	Kg.Cm	RPM	Kg.Cm	RPM	Kg.Cm
1/067	67.1	1.6	119.4	1.8	97	1.6	32.8	0.8	89.5	1.6
1/101	44.5	2.4	79.2	2.7	64.3	2.4	21.8	1.2	59.4	2.4
1/114	39.4	2.7	70.1	3.0	57.0	2.7	19.3	1.4	52.6	2.7
1/150	30	3.5	53.3	4.0	43.3	3.5	14.6	1.8	40	3.5