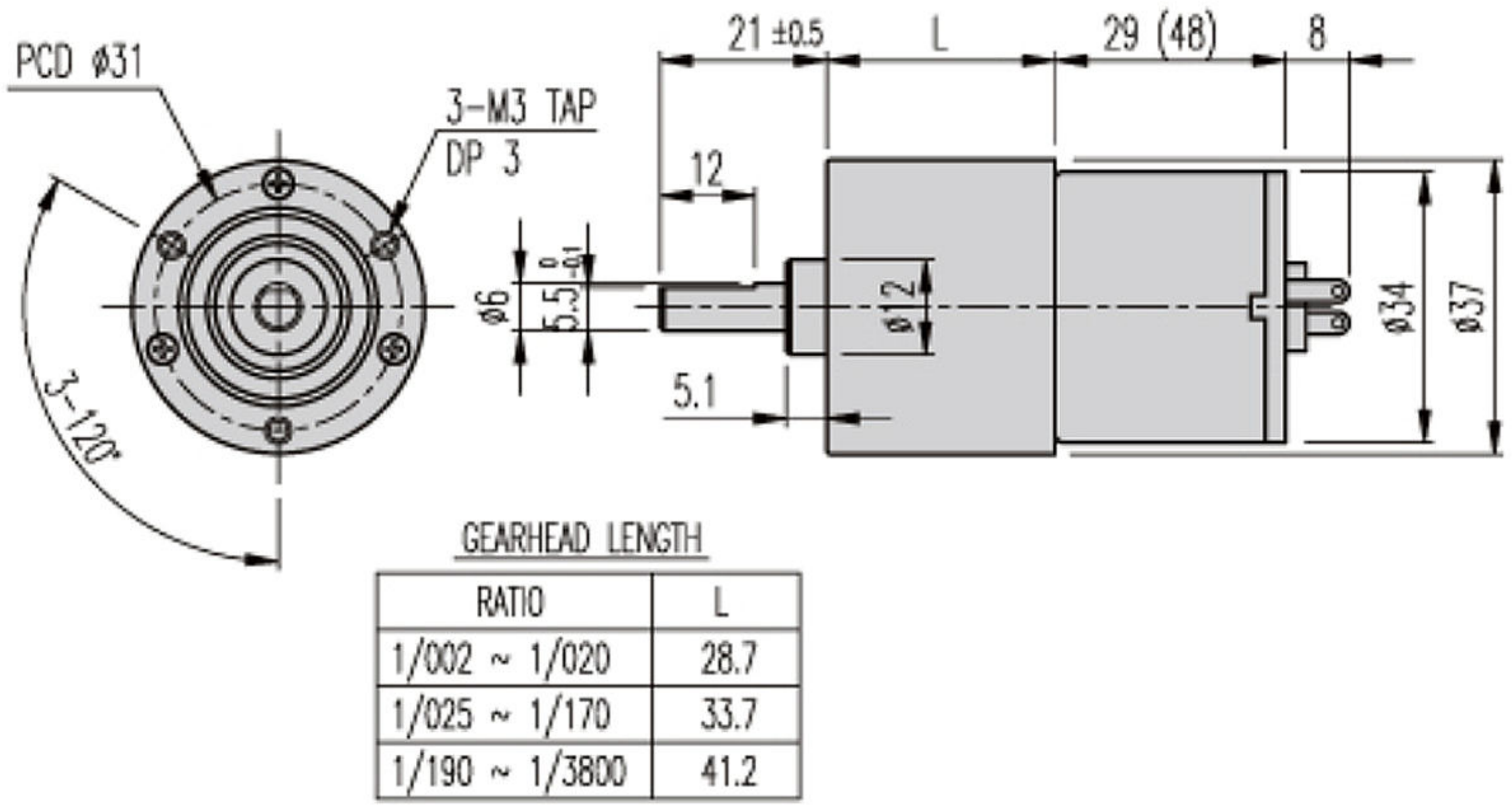


# SMALL DC GEARED MOTOR KGD-3429



## DIMENSIONS



## AT MAXIMUM EFFICIENCY

| Model  | KD1-3429-050 |        | KD2-3429-050 |        | KD1-3429-075 |        | KD2-3429-075 |        | KD1-3429-095 |        | KD2-3429-095 |        |
|--------|--------------|--------|--------------|--------|--------------|--------|--------------|--------|--------------|--------|--------------|--------|
|        | DC 12V       |        | DC 24V       |        | DC 12V       |        | DC 24V       |        | DC 12V       |        | DC 24V       |        |
| GEAR   | rpm          | kgf-cm | rpm          | kgf-cm | rpm          | kgf-cm | rpm          | kgf-cm | rpm          | kgf-cm | rpm          | kgf-cm |
| 1/003  | 1500         | 0.1    | 1500         | 0.1    | 2167         | 0.1    | 2167         | 0.1    | 2667         | 0.2    | 2667         | 0.1    |
| 1/005  | 900          | 0.16   | 900          | 0.16   | 1300         | 0.16   | 1300         | 0.16   | 1600         | 0.3    | 1600         | 0.16   |
| 1/010  | 450          | 0.29   | 450          | 0.29   | 650          | 0.29   | 650          | 0.29   | 800          | 0.6    | 800          | 0.29   |
| 1/015  | 300          | 0.44   | 300          | 0.44   | 433          | 0.44   | 433          | 0.44   | 533          | 0.9    | 533          | 0.44   |
| 1/020  | 225          | 0.58   | 225          | 0.58   | 325          | 0.58   | 325          | 0.58   | 400          | 1.1    | 400          | 0.58   |
| 1/025  | 180          | 0.66   | 180          | 0.66   | 260          | 0.66   | 260          | 0.66   | 320          | 1.3    | 320          | 0.66   |
| 1/030  | 150          | 0.79   | 150          | 0.79   | 217          | 0.79   | 217          | 0.79   | 267          | 1.6    | 267          | 0.79   |
| 1/040  | 112.5        | 1      | 112.5        | 1      | 162.5        | 1      | 162.5        | 1      | 200          | 2.1    | 200          | 1      |
| 1/050  | 90           | 1.3    | 90           | 1.3    | 130          | 1.3    | 130          | 1.3    | 160          | 2.6    | 160          | 1.3    |
| 1/060  | 75           | 1.6    | 75           | 1.6    | 108          | 1.6    | 108          | 1.6    | 133.3        | 3.1    | 133.3        | 1.6    |
| 1/070  | 64.3         | 1.7    | 64.3         | 1.7    | 93           | 1.7    | 93           | 1.7    | 114.3        | 3.3    | 114.3        | 1.7    |
| 1/085  | 53           | 2      | 53           | 2      | 76.5         | 2      | 76.5         | 2      | 94.1         | 4      | 94.1         | 2      |
| 1/100  | 45           | 2.4    | 45           | 2.4    | 65           | 2.4    | 65           | 2.4    | 80           | 4.7    | 80           | 2.4    |
| 1/120  | 37.5         | 2.8    | 37.5         | 2.8    | 54.2         | 2.8    | 54.2         | 2.8    | 66.7         | 5.7    | 66.7         | 2.8    |
| 1/135  | 33.3         | 3.2    | 33.3         | 3.2    | 48.1         | 3.2    | 48.1         | 3.2    | 59.3         | 6      | 59.3         | 3.2    |
| 1/150  | 30           | 3.5    | 30           | 3.5    | 43.3         | 3.5    | 43.3         | 3.5    | 53.3         | 6      | 53.3         | 3.5    |
| 1/170  | 26.5         | 4      | 26.5         | 4      | 38.2         | 4      | 38.2         | 4      | 47           | 6      | 47           | 4      |
| 1/190  | 23.7         | 4      | 23.7         | 4      | 34.2         | 4      | 34.2         | 4      | 42.1         | 6      | 42.1         | 4      |
| 1/210  | 21.4         | 4.5    | 21.4         | 4.5    | 31           | 4.5    | 31           | 4.5    | 38.1         | 6      | 38.1         | 4.5    |
| 1/240  | 18.8         | 5.1    | 18.8         | 5.1    | 27.1         | 5.1    | 27.1         | 5.1    | 33.3         | 6      | 33.3         | 5.1    |
| 1/270  | 16.7         | 5.7    | 16.7         | 5.7    | 24.1         | 5.7    | 24.1         | 5.7    | 29.6         | 6      | 29.6         | 5.7    |
| 1/300  | 15           | 6      | 15           | 6      | 21.7         | 6      | 21.7         | 6      | 26.7         | 6      | 26.7         | 6      |
| 1/330  | 13.6         | 6      | 13.6         | 6      | 19.7         | 6      | 19.7         | 6      | 24.2         | 6      | 24.2         | 6      |
| 1/370  | 12.2         | 6      | 12.2         | 6      | 17.6         | 6      | 17.6         | 6      | 21.6         | 6      | 21.6         | 6      |
| 1/420  | 10.7         | 6      | 10.7         | 6      | 15.5         | 6      | 15.5         | 6      | 19           | 6      | 19           | 6      |
| 1/480  | 9.4          | 6      | 9.4          | 6      | 13.5         | 6      | 13.5         | 6      | 16.7         | 6      | 16.7         | 6      |
| 1/540  | 8.3          | 6      | 8.3          | 6      | 12           | 6      | 12           | 6      | 14.8         | 6      | 14.8         | 6      |
| 1/600  | 7.5          | 6      | 7.5          | 6      | 10.8         | 6      | 10.8         | 6      | 13.3         | 6      | 13.3         | 6      |
| 1/660  | 6.8          | 6      | 6.8          | 6      | 9.8          | 6      | 9.8          | 6      | 12.1         | 6      | 12.1         | 6      |
| 1/750  | 6            | 6      | 6            | 6      | 8.7          | 6      | 8.7          | 6      | 10.7         | 6      | 10.7         | 6      |
| 1/830  | 5.4          | 6      | 5.4          | 6      | 7.8          | 6      | 7.8          | 6      | 9.6          | 6      | 9.6          | 6      |
| 1/930  | 4.8          | 6      | 4.8          | 6      | 7            | 6      | 7            | 6      | 8.6          | 6      | 8.6          | 6      |
| 1/1040 | 4.3          | 6      | 4.3          | 6      | 6.3          | 6      | 6.3          | 6      | 7.7          | 6      | 7.7          | 6      |
| 1/1180 | 3.8          | 6      | 3.8          | 6      | 5.5          | 6      | 5.5          | 6      | 6.8          | 6      | 6.8          | 6      |
| 1/1350 | 3.3          | 6      | 3.3          | 6      | 4.8          | 6      | 4.8          | 6      | 5.9          | 6      | 5.9          | 6      |
| 1/1500 | 3            | 6      | 3            | 6      | 4.3          | 6      | 4.3          | 6      | 5.3          | 6      | 5.3          | 6      |
| 1/1670 | 2.7          | 6      | 2.7          | 6      | 3.9          | 6      | 3.9          | 6      | 4.8          | 6      | 4.8          | 6      |
| 1/1860 | 2.4          | 6      | 2.4          | 6      | 3.5          | 6      | 3.5          | 6      | 4.3          | 6      | 4.3          | 6      |
| 1/2070 | 2.2          | 6      | 2.2          | 6      | 3.1          | 6      | 3.1          | 6      | 3.9          | 6      | 3.9          | 6      |
| 1/2310 | 1.9          | 6      | 1.9          | 6      | 2.8          | 6      | 2.8          | 6      | 3.5          | 6      | 3.5          | 6      |
| 1/2600 | 1.7          | 6      | 1.7          | 6      | 2.5          | 6      | 2.5          | 6      | 3.1          | 6      | 3.1          | 6      |
| 1/2920 | 1.5          | 6      | 1.5          | 6      | 2.2          | 6      | 2.2          | 6      | 2.7          | 6      | 2.7          | 6      |
| 1/3300 | 1.4          | 6      | 1.4          | 6      | 2            | 6      | 2            | 6      | 2.4          | 6      | 2.4          | 6      |
| 1/3800 | 1.2          | 6      | 1.2          | 6      | 1.7          | 6      | 1.7          | 6      | 2.1          | 6      | 2.1          | 6      |

■ 색상의 감속비는 MOTOR와 출력축의 회전방향이 같습니다.