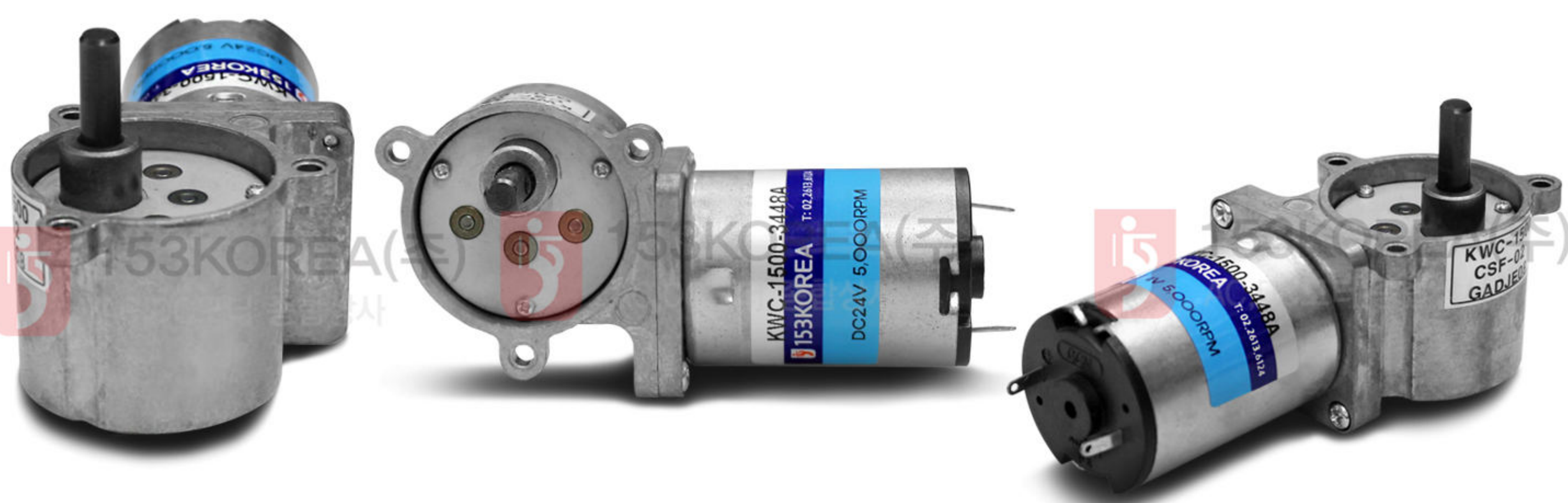
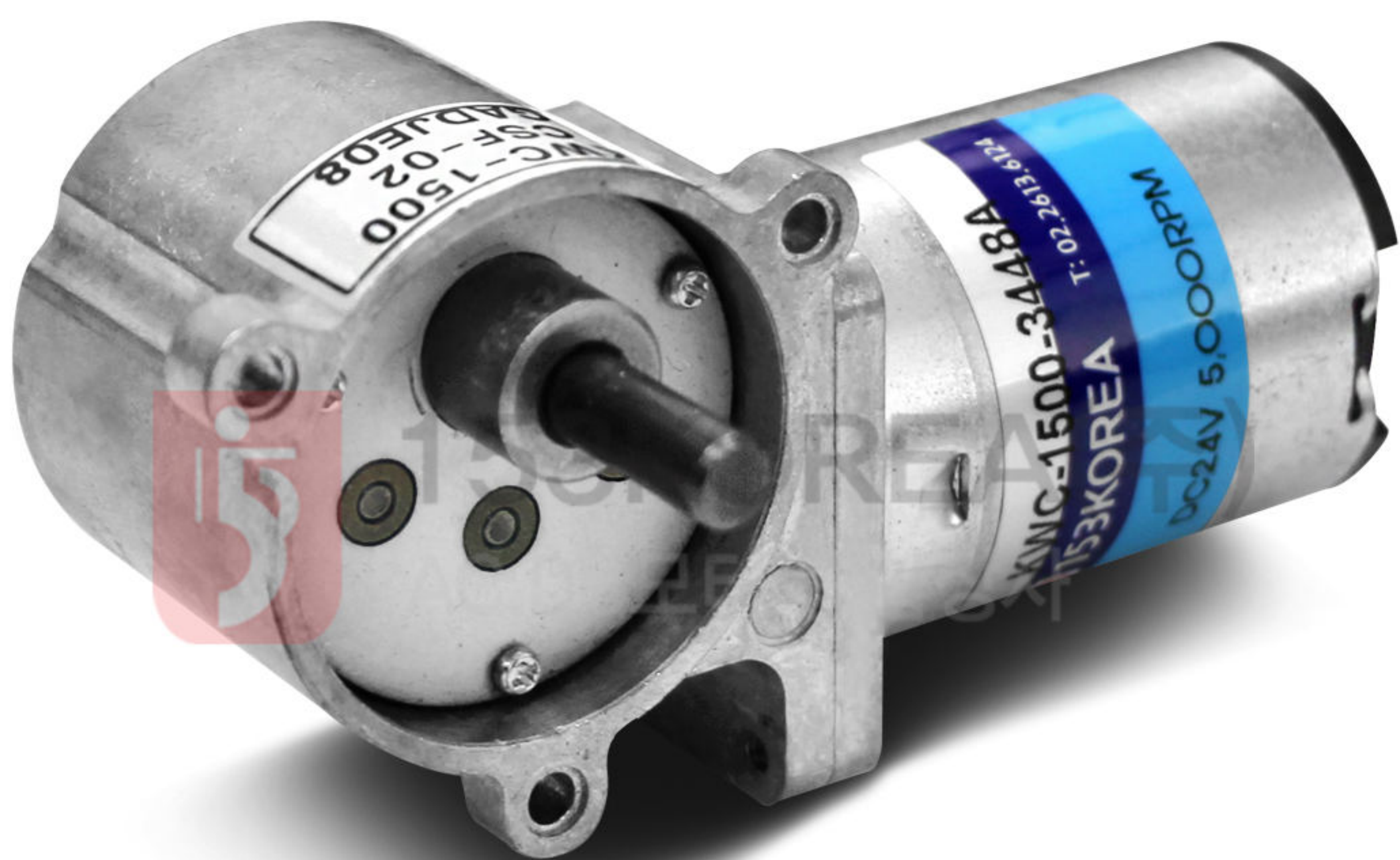
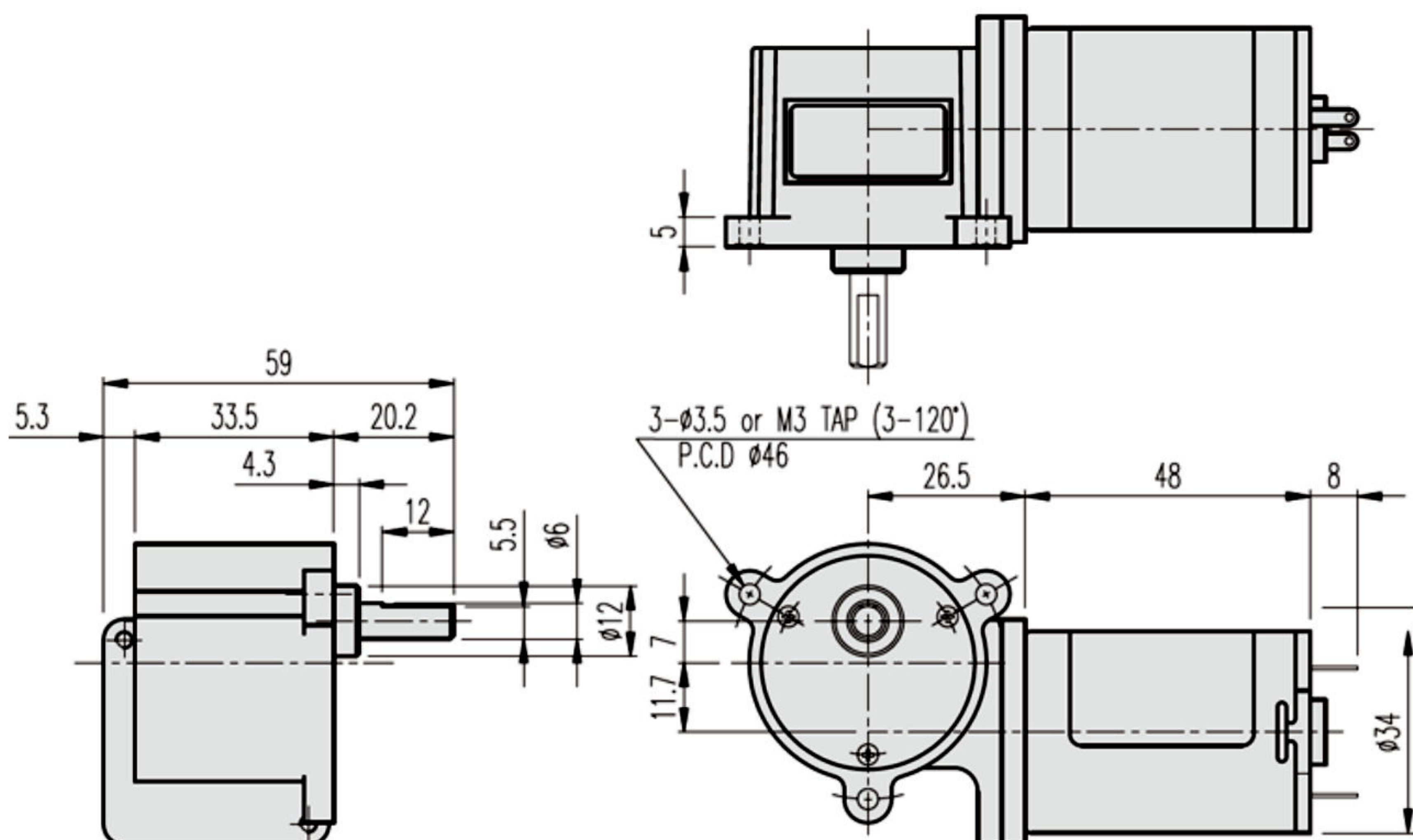


소형웜기어드모터

KWC-3448 SERIES



DIMENSIONS



AT MAXIMUM EFFICIENCY

Model	KD1-3448-050(S1)		KD2-3448-050(S2)		KD1-3448-075(T1)		KD2-3448-075(T2)		KD1-3448-090(P1)		KD2-3448-090(P2)	
	DC 12V		DC 24V		DC 12V		DC 24V		DC 12V		DC 24V	
GEAR	rpm	kgf·cm	rpm	kgf·cm	rpm	kgf·cm	rpm	kgf·cm	rpm	kgf·cm	rpm	kgf·cm
1/25	180	0.4	180	0.4	260	0.4	260	0.4	320	0.4	320	0.4
1/30	150	0.5	150	0.5	217	0.5	217	0.5	267	0.5	267	0.5
1/50	90	0.9	90	0.9	130	0.9	130	0.9	160	0.9	160	0.9
1/60	75	0.9	75	0.9	108	0.9	108	0.9	133	0.9	133	0.9
1/75	60	1.2	60	1.2	87	1.2	87	1.2	107	1.2	107	1.2
1/100	45	1.6	45	1.6	65	1.6	65	1.6	80	1.6	80	1.6
1/125	36	1.9	36	1.9	52	1.9	52	1.9	64	1.9	64	1.9
1/150	30	2.3	30	2.3	43	2.3	43	2.3	53	2.3	53	2.3
1/200	22.5	2.8	22.5	2.8	32.5	2.8	32.5	2.8	40	2.8	40	2.8
1/250	18	3.5	18	3.5	26	3.5	26	3.5	32	3.5	32	3.5
1/300	15	4.2	15	4.2	21.7	4.2	21.7	4.2	26.7	4.2	26.7	4.2
1/375	12	5.2	12	5.2	17.3	5.2	17.3	5.2	21.3	5.2	21.3	5.2
1/500	9	6	9	6	13	6	13	6	16	6	16	6
1/600	7.5	6	7.5	6	10.8	6	10.8	6	13.3	6	13.3	6
1/750	6	6	6	6	8.7	6	8.7	6	10.7	6	10.7	6
1/900	5	6	5	6	7.2	6	7.2	6	8.9	6	8.9	6
1/1050	4.3	6	4.3	6	6.2	6	6.2	6	7.6	6	7.6	6
1/1350	3.3	6	3.3	6	4.8	6	4.8	6	5.9	6	5.9	6
1/1500	3	6	3	6	4.3	6	4.3	6	5.3	6	5.3	6

■ 색상의 감속비의 회전방향은 CW. [MOTOR의 (+)단자에 (+)전원 인가시]