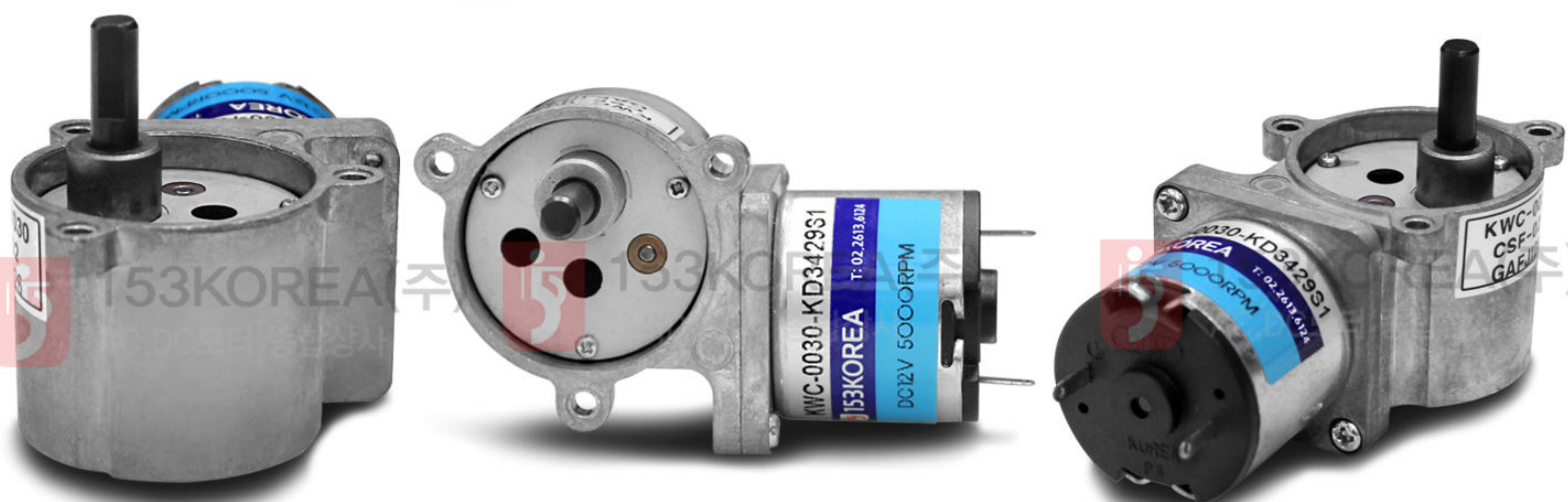
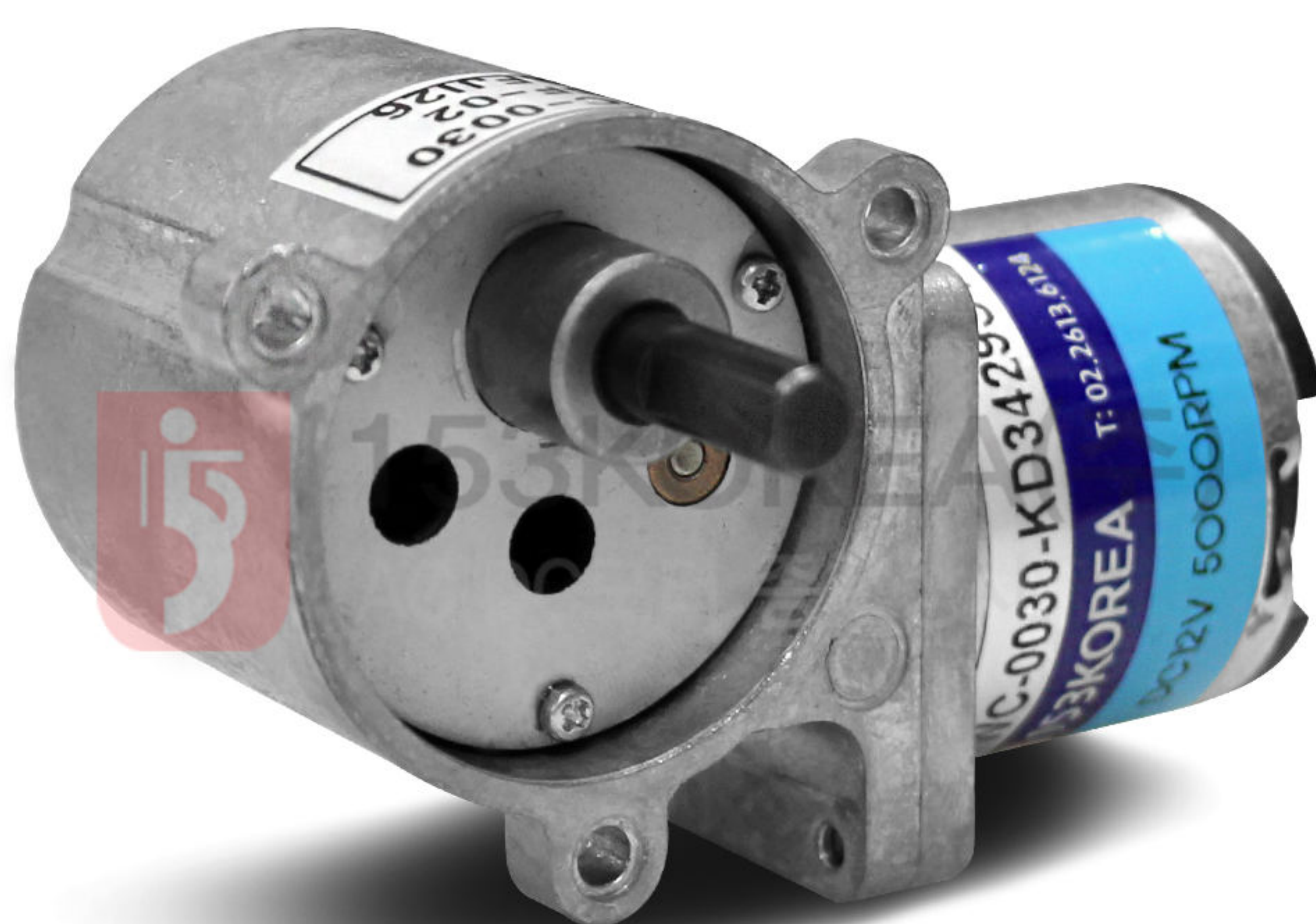
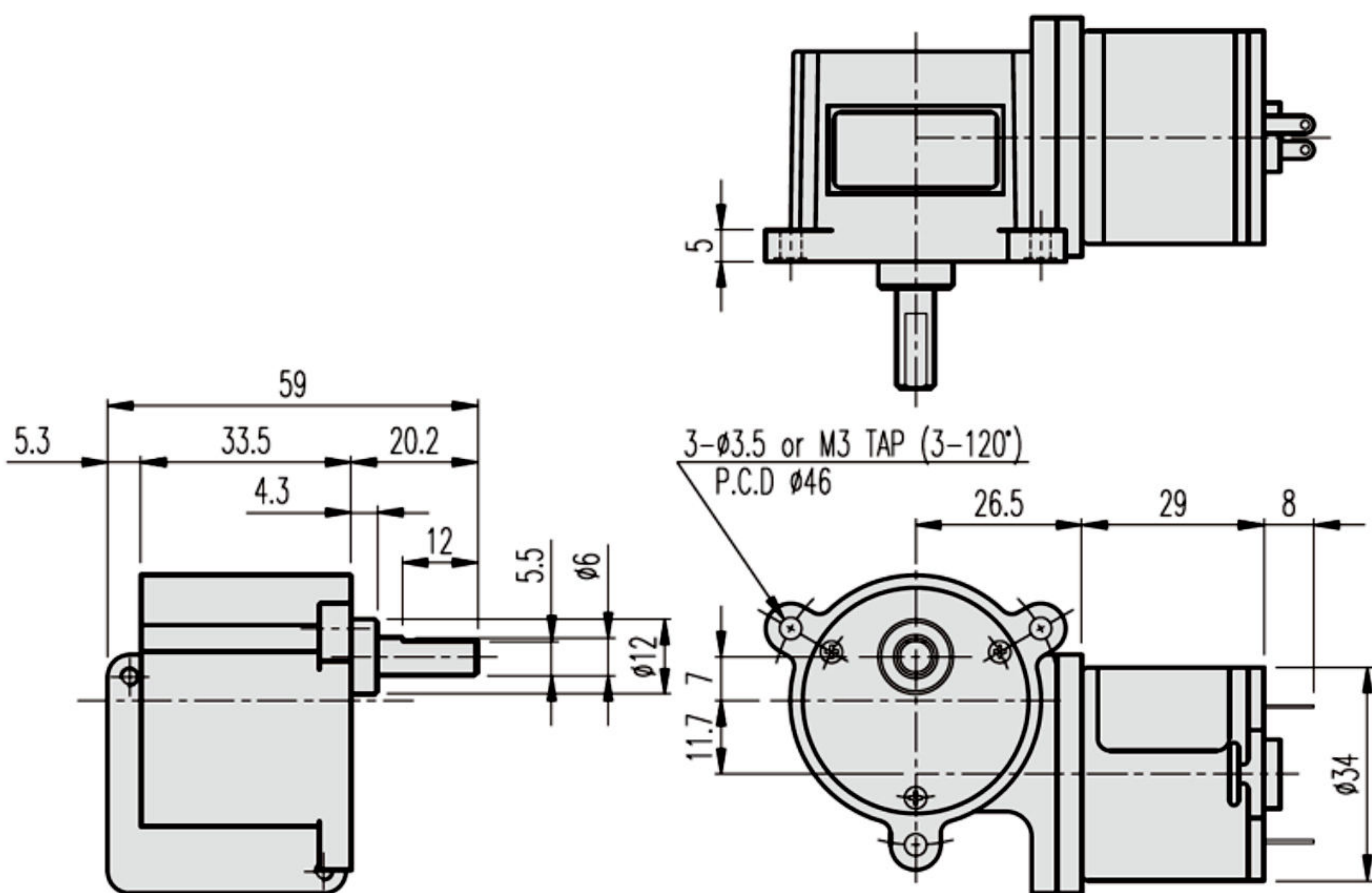


# 소형웜기어드모터

## KWC-3429 SERIES



### DIMENSIONS



### AT MAXIMUM EFFICIENCY

Model	KD1-3429-050(S1)		KD2-3429-050(S2)		KD1-3429-075(T1)		KD2-3429-075(T2)		KD1-3429-095(P1)		KD2-3429-095(P2)	
	DC 12V		DC 24V		DC 12V		DC 24V		DC 12V		DC 24V	
GEAR	rpm	kgf-cm	rpm	kgf-cm	rpm	kgf-cm	rpm	kgf-cm	rpm	kgf-cm	rpm	kgf-cm
1/25	180	0.2	180	0.2	260	0.2	260	0.2	320	0.4	320	0.2
1/30	150	0.3	150	0.3	217	0.3	217	0.3	267	0.5	267	0.3
1/50	90	0.4	90	0.4	130	0.4	130	0.4	160	0.9	160	0.4
1/60	75	0.5	75	0.5	108	0.5	108	0.5	133	0.9	133	0.5
1/75	60	0.6	60	0.6	87	0.6	87	0.6	107	1.2	107	0.6
1/100	45	0.8	45	0.8	65	0.8	65	0.8	80	1.6	80	0.8
1/125	36	1	36	1	52	1	52	1	64	1.9	64	1
1/150	30	1.2	30	1.2	43	1.2	43	1.2	53	2.3	53	1.2
1/200	22.5	1.4	22.5	1.4	32.5	1.4	32.5	1.4	40	2.8	40	1.4
1/250	18	1.7	18	1.7	26	1.7	26	1.7	32	3.5	32	1.7
1/300	15	2.1	15	2.1	21.7	2.1	21.7	2.1	26.7	4.2	26.7	2.1
1/375	12	2.6	12	2.6	17.3	2.6	17.3	2.6	21.3	5.2	21.3	2.6
1/500	9	3.5	9	3.5	13	3.5	13	3.5	16	6	16	3.5
1/600	7.5	3.8	7.5	3.8	10.8	3.8	10.8	3.8	13.3	6	13.3	3.8
1/750	6	4.7	6	4.7	8.7	4.7	8.7	4.7	10.7	6	10.7	4.7
1/900	5	6	5	6	7.2	6	7.2	6	8.9	6	8.9	6
1/1050	4.3	6	4.3	6	6.2	6	6.2	6	7.6	6	7.6	6
1/1350	3.3	6	3.3	6	4.8	6	4.8	6	5.9	6	5.9	6
1/1500	3	6	3	6	4.3	6	4.3	6	5.3	6	5.3	6

■ 색상의 감속비의 회전방향은 CW. [ MOTOR의 (+)단자에 (+)전원 인가시 ]