

Thermal Protection

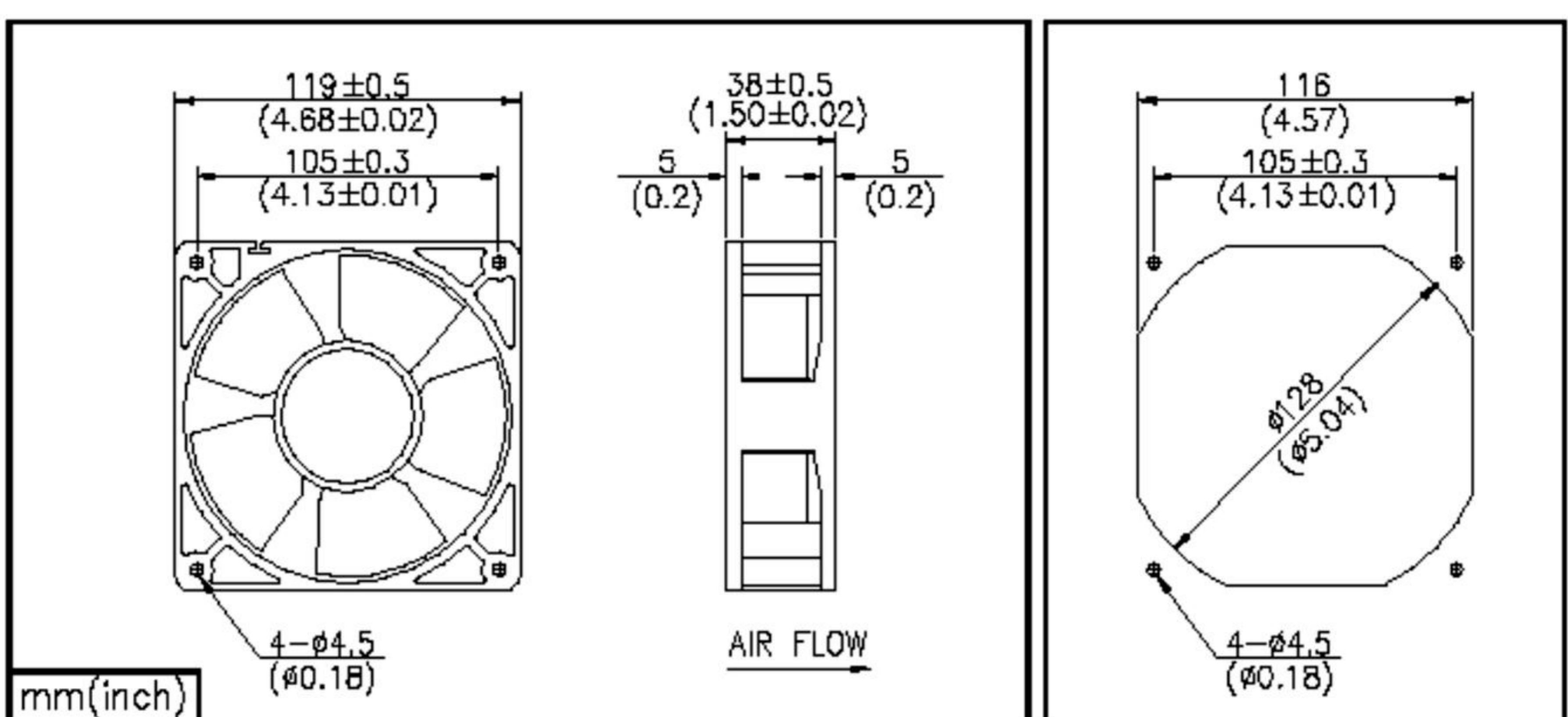
F 120mm square x 38mm



제품사진



외형도



SPECIFICATION

Model	Voltage [VDC]	Start Voltage [VDC]	Current [mA]	Power [W]	Speed [rpm+/-10%]	Air Flow [m3/min]/[CFM]	Static Pressure[mmH2O] /[inH2O]	Sound Noise [dBA]
F1238S05B	5	4	520	2.6	1,800	2.34 / 83	3.53 / 0.14	34
F1238L05B	5	4	800	4	2,050	2.66 / 94	4.37 / 0.17	36
F1238S12B	12	8	180	2.16	1,800	2.34 / 83	3.53 / 0.14	34
F1238L12B	12	8	290	3.48	2,050	2.66 / 94	4.37 / 0.17	36
F1238M12B	12	8	360	4.32	2,300	2.97 / 105	5.41 / 0.21	38
F1238H12B	12	8	440	5.28	2,500	3.18 / 112	6.23 / 0.25	41
F1238E12B	12	8	700	8.4	2,800	3.57 / 126	6.99 / 0.28	43
F1238X12B	12	8	950	11.4	3,100	3.96 / 140	7.74 / 0.30	45
F1238S24B	24	15	90	2.16	1,800	2.34 / 83	3.53 / 0.14	34
F1238L24B	24	15	145	3.48	2,050	2.66 / 94	4.37 / 0.17	36
F1238M24B	24	15	180	4.32	2,300	2.97 / 105	5.41 / 0.21	38
F1238H24B	24	15	220	5.28	2,500	3.18 / 112	6.23 / 0.25	41
F1238E24B	24	15	350	8.4	2,800	3.57 / 126	6.99 / 0.28	43
F1238X24B	24	15	500	12	3,100	3.96 / 140	7.74 / 0.30	45
F1238S48B	48	24	60	2.88	1,800	2.34 / 83	3.53 / 0.14	34
F1238L48B	48	24	80	3.84	2,050	2.66 / 94	4.37 / 0.17	36
F1238M48B	48	24	120	5.76	2,300	2.97 / 105	5.41 / 0.21	38
F1238H48B	48	24	140	6.72	2,500	3.18 / 112	6.23 / 0.25	41