

PM Standard Type Motor

SP-15RF



APPLICATION

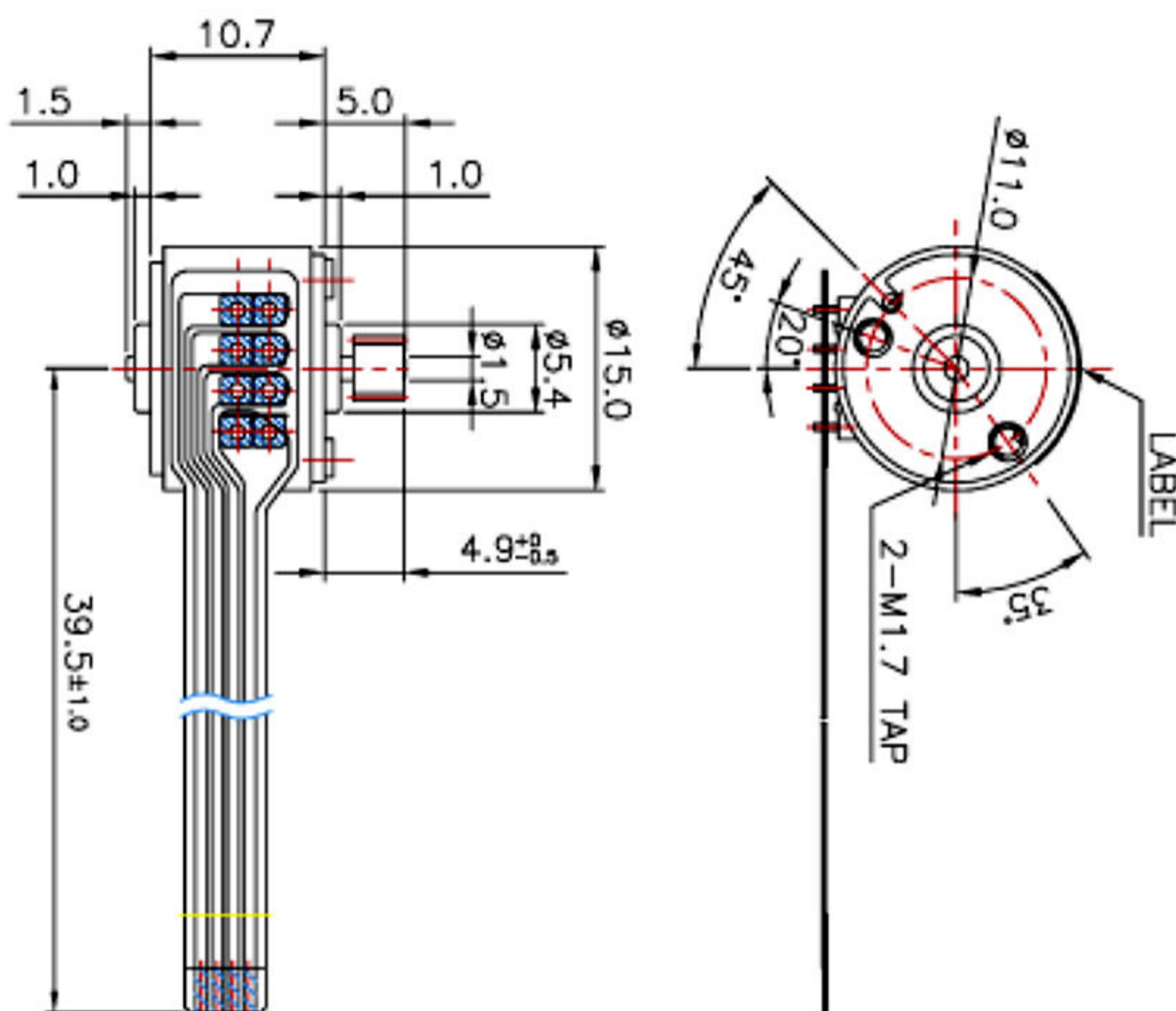
- Mini Printer, Camera, DVD-Player, Medical Instrument, etc.

SPECIFICATION

Series	Step angle	Volt	Phase	Resistance	Drive Mode	Max Starting Pulse Rate (PPS)	Max Slewing Pulse Rate (PPS)
	degree	VDC		$\Omega \pm 5\%$			
020K	18	8	2	30	Bipolar	900	-
030K	18	7.2	2	30	Bipolar	920	-
300K	18	8	2	30	Bipolar	1140	-

Torque(gf.cm)			Lead Screw			(FPC)	DriveMethod
Holding	Pull in	Pull out	Module	PCD	Z	L(mm)	
		400PPS					1400PPS
30	-	1414	0.3	3.9	13	40	VCONSTANT
25	-	16	0.3	4.2	14	-	VCONSTANT
30	-	13.2	(800PPS)	None		200	VCONSTANT

DIMENSION



CHARACTERISTICS

