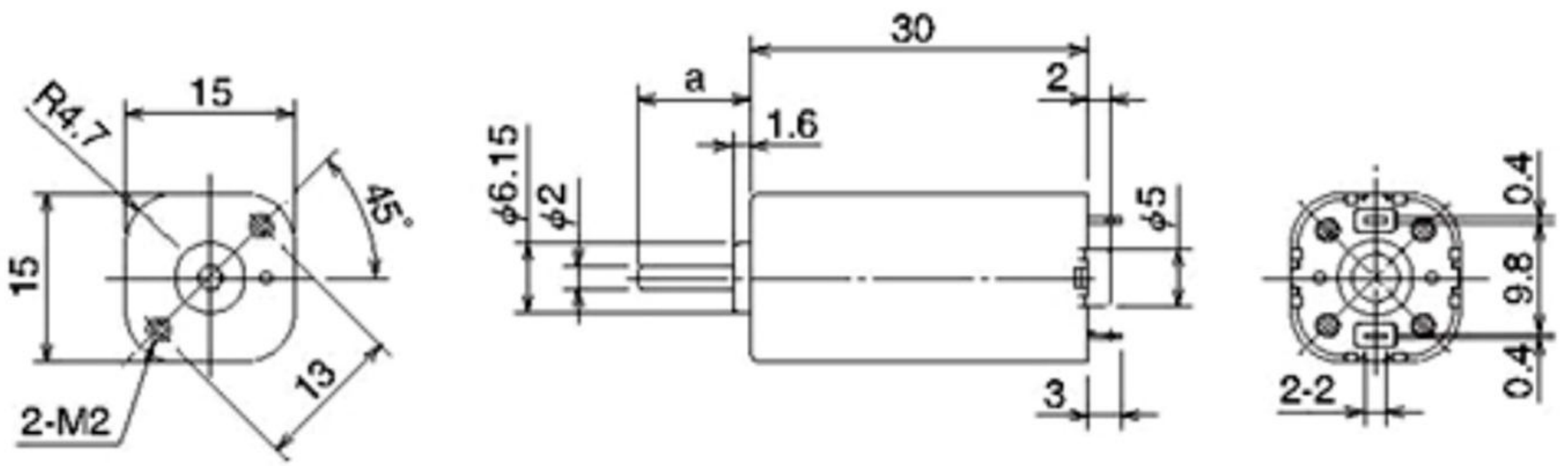


# NMB Small DC Motor SE18J



## DIMENSIONS



## SPECIFICATION

MODEL	Operating Voltage (V)	Rated Voltage (V)	No Load Speed (min <sup>-1</sup> )	No Load Current (mA)	Rated Load		Rated Load Speed (min <sup>-1</sup> )	Rated Load Current (mA)	Starting Torque		Starting Current (mA)	Shaft Length (mm)
					(gf·cm)	(mN·m)			(gf·cm)	(mN·m)		
SE15M1FTM	8 to 13	12.0	6988	58	20.4	2.0	6275	186	199.9	19.59	1309	a=11.7
SE15M1GTM	13 to 16	15.0	10138	115	20.4	2.0	9343	272	260.1	25.49	2124	a=11.7

## GRAPH

