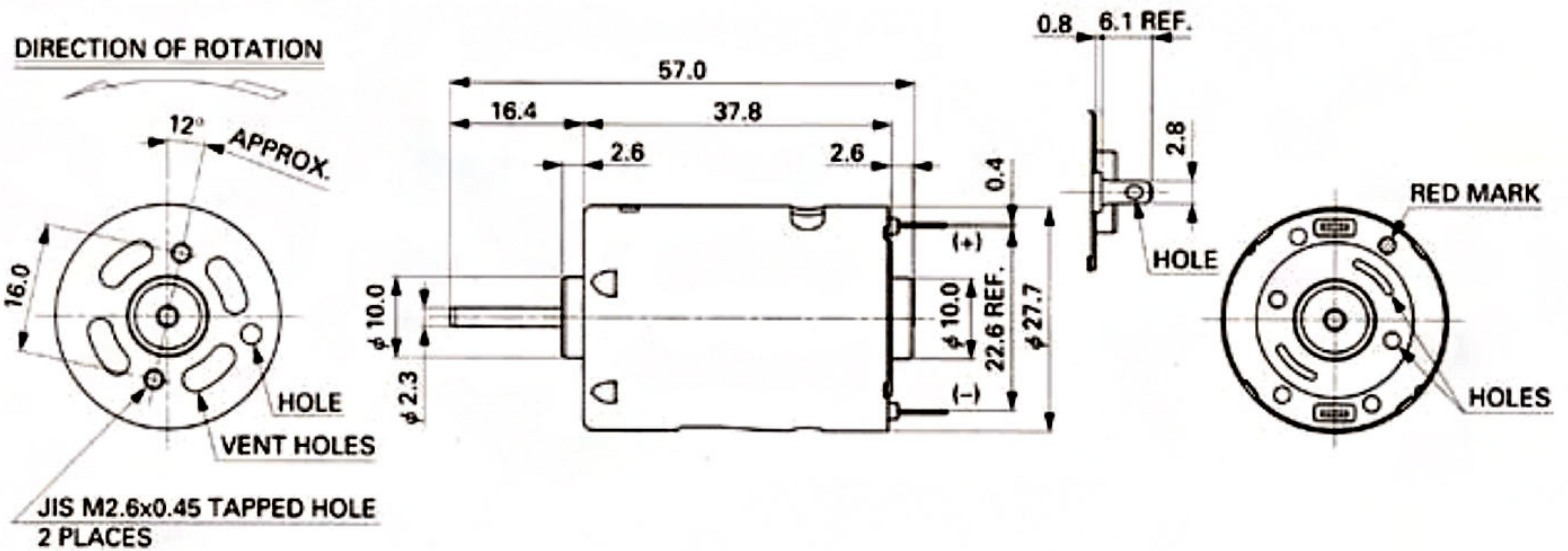


MABUCHI Small DC RS-380SH



DIMENSIONS



SPECIFICATION

MODEL	VOLTAGE		NO LOAD		AT MAXIMUM EFFICIENCY				STALL			
	OPERATING RANGE	NOMINAL	SPEED	CURRENT	SPEED	CURRENT	TORQUE	OUTPUT	TORQUE	CURRENT		
			r/min	A	r/min	A	g·cm	mN·m	W	g·cm	mN·m	A
RS-380SH-4045	3~9	7.2V CONSTANT	16200	0.50	14000	3.29	110	10.8	15.8	840	82.3	21.6
RS-380SH-12300	12~30	24V CONSTANT	8000	0.070	6800	0.26	50	4.90	3.49	350	34.3	1.40