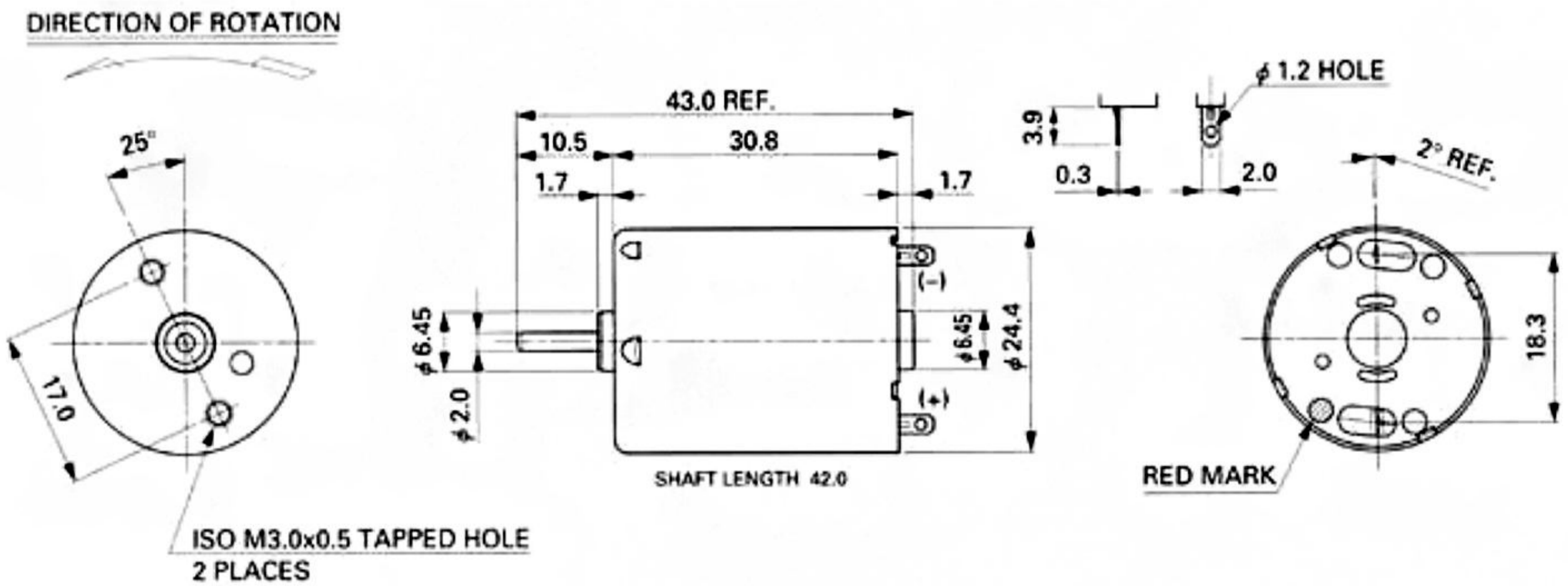


MABUCHI Small DC RK-370CA



DIMENSIONS



SPECIFICATION

MODEL	VOLTAGE		NO LOAD		AT MAXIMUM EFFICIENCY					STALL		
	OPERATING RANGE	NOMINAL	SPEED	CURRENT	SPEED	CURRENT	TORQUE		OUTPUT	TORQUE		CURRENT
			r/min	A	r/min	A	g·cm	mN·m	W	g·cm	mN·m	A
RK-370CA-10800	12~30	24V CONSTANT	5100	0.015	4300	0.082	26	2.55	1.15	170	16.7	0.45
RK-370CA-18260	6~18	12V CONSTNAT	7900	0.050	5400	0.11	75	7.35	4.15	240	23.5	0.24
RK-370CA-081050	12~30	24V CONSTANT	3900	0.010	3100	0.047	19	1.86	0.60	110	10.8	0.22