

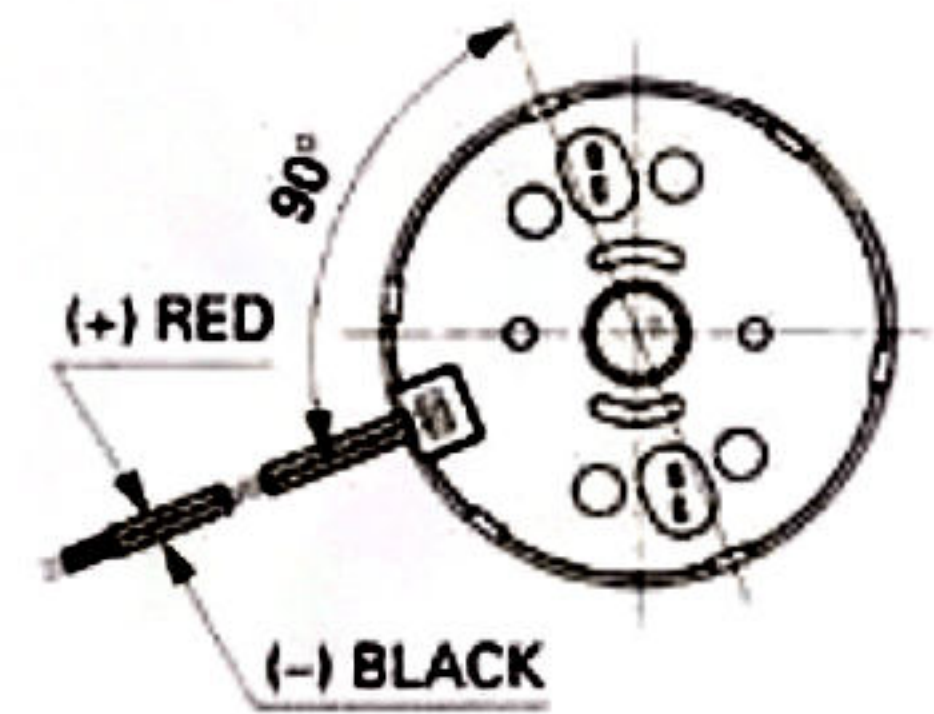
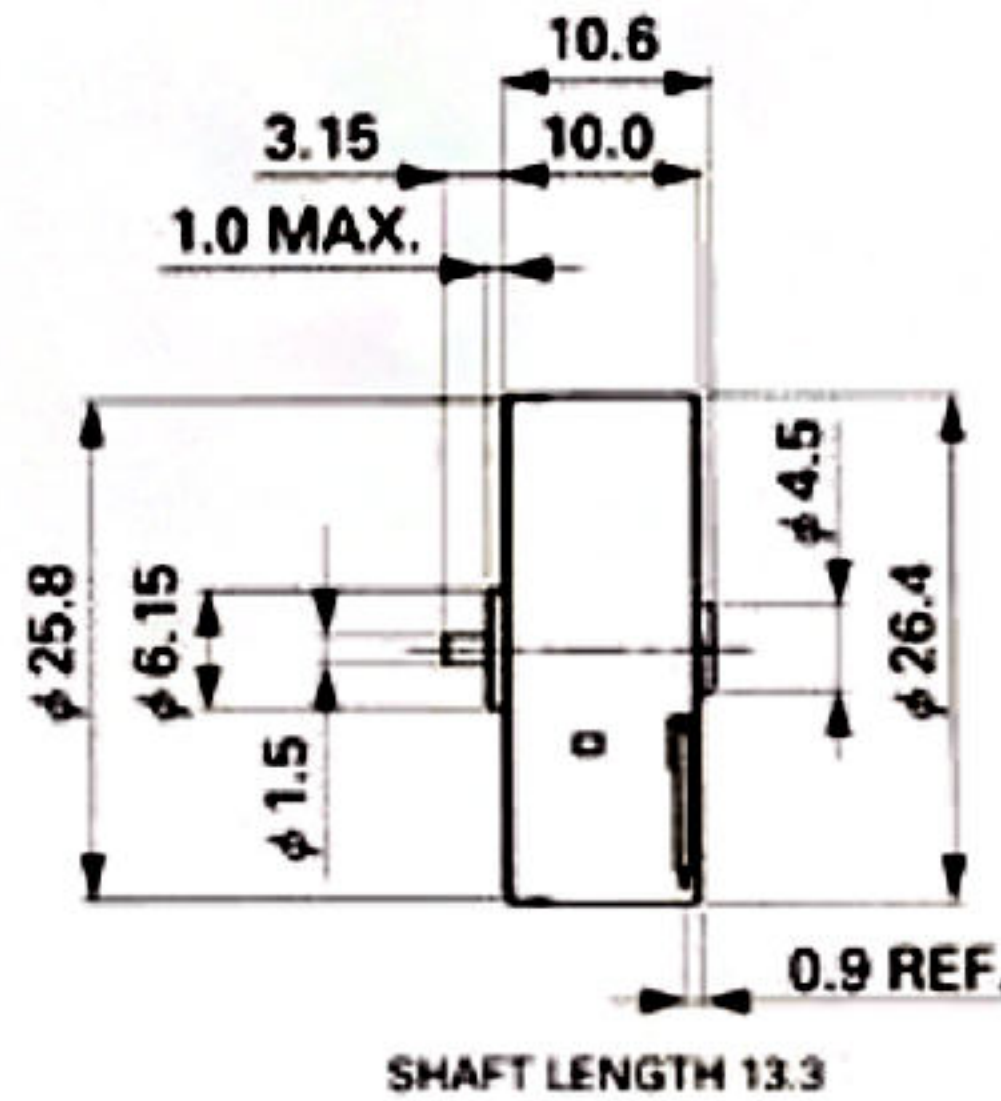
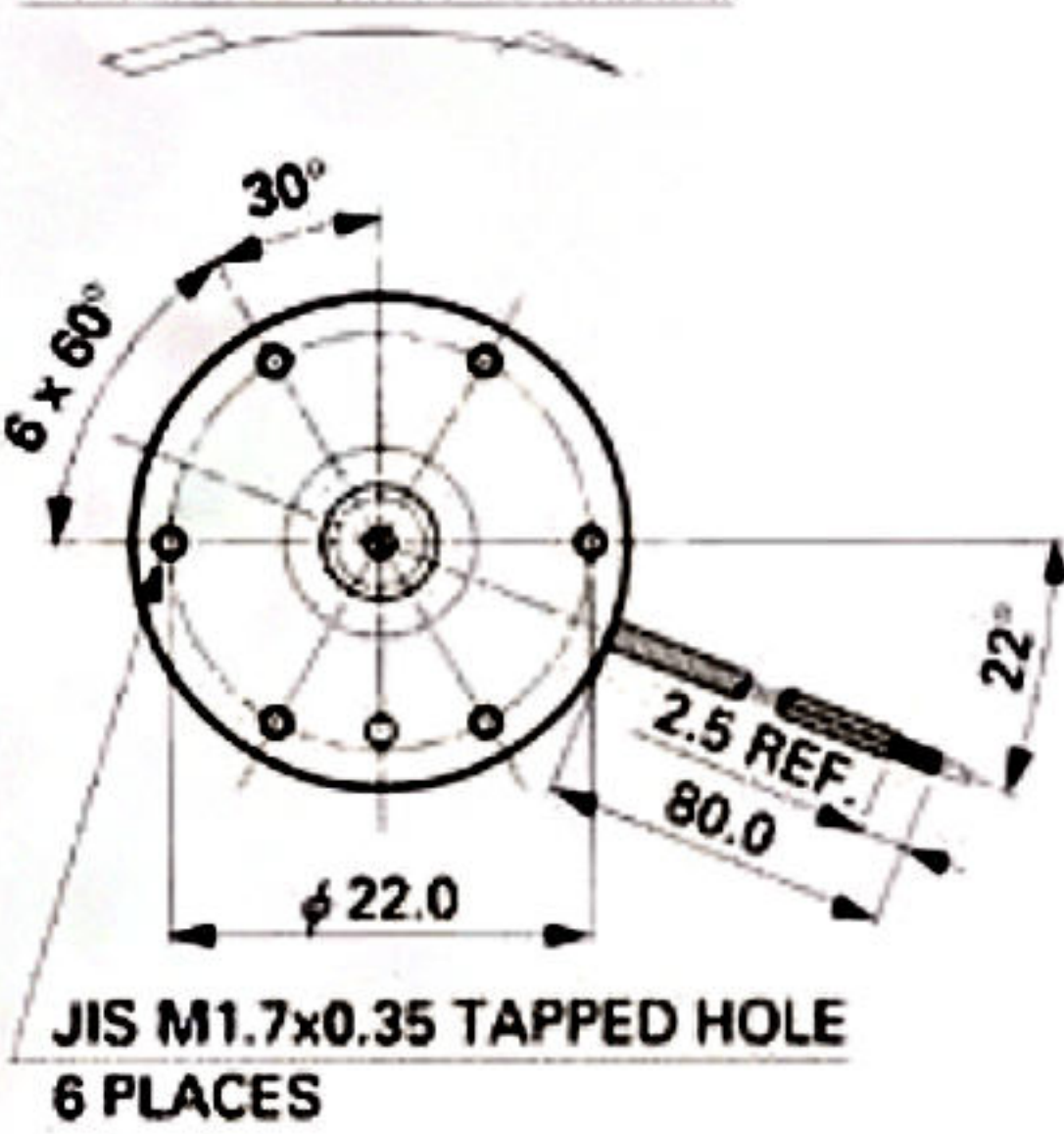
MABUCHI Small DC

RF-500TB



DIMENSIONS

DIRECTION OF ROTATION



SPECIFICATION

MODEL	VOLTAGE		NO LOAD		AT MAXIMUM EFFICIENCY					STALL		
	OPERATING RANGE	NOMINAL	SPEED	CURRENT	SPEED	CURRENT	TORQUE		OUTPUT	TORQUE		CURRENT
			r/min	A	r/min	A	g·cm	mN·m	W	g·cm	mN·m	A
RF-500TB-14415	1.5~9.0	3V CONSTANT	1800	0.022	1400	0.085	8.0	0.78	0.11	41	4.02	0.33
		6V CONSTANT	3000	0.028	3700	0.13	14	1.37	0.43	84	8.23	0.65
RF-500TB-12560	1.5~12	6V CONSTANT	2700	0.020	2200	0.070	10	0.98	0.23	60	5.88	0.35
		9V CONSTANT	4000	0.023	3300	0.10	12	1.18	0.41	91	8.92	0.52