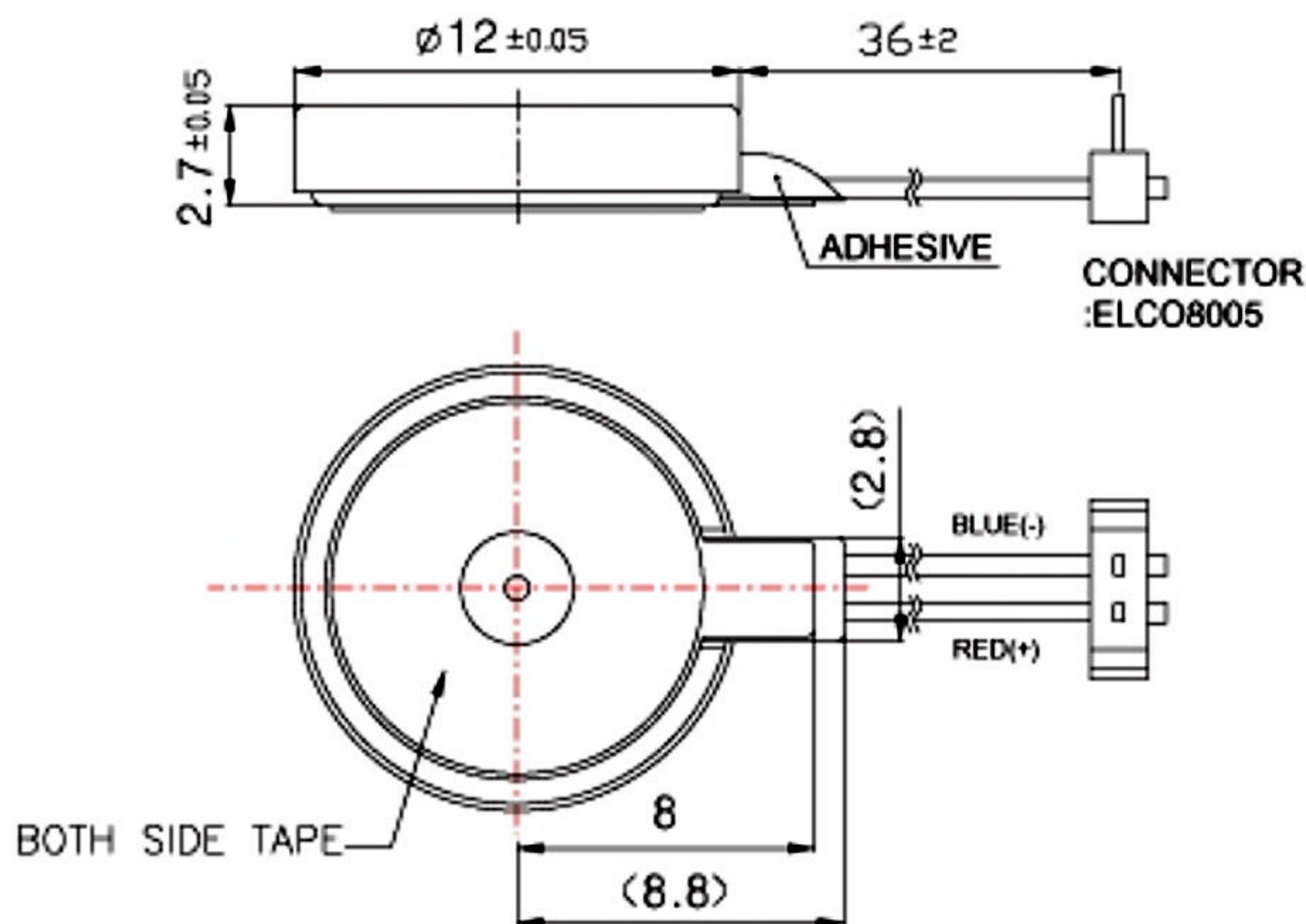


DC Vibration Motor

MCV1227-13AC/30AL



DIMENSIONS



SPECIFICATION

MODEL	MCV1227-13AC	MCV1227-30AC
RATED VOLTAGE(V)	1.3	3.0
RATED CURRENT(mA)	90 MAX	85 MAX
STARTING VOLTAGE(V)	1.1 MAX	2.3 MAX
RATED SPEED(RPM)	8,000 MIN	8,500 MIN
MOTOR WEIGHT(g)	1.4(Approx.)	1.4(Approx.)