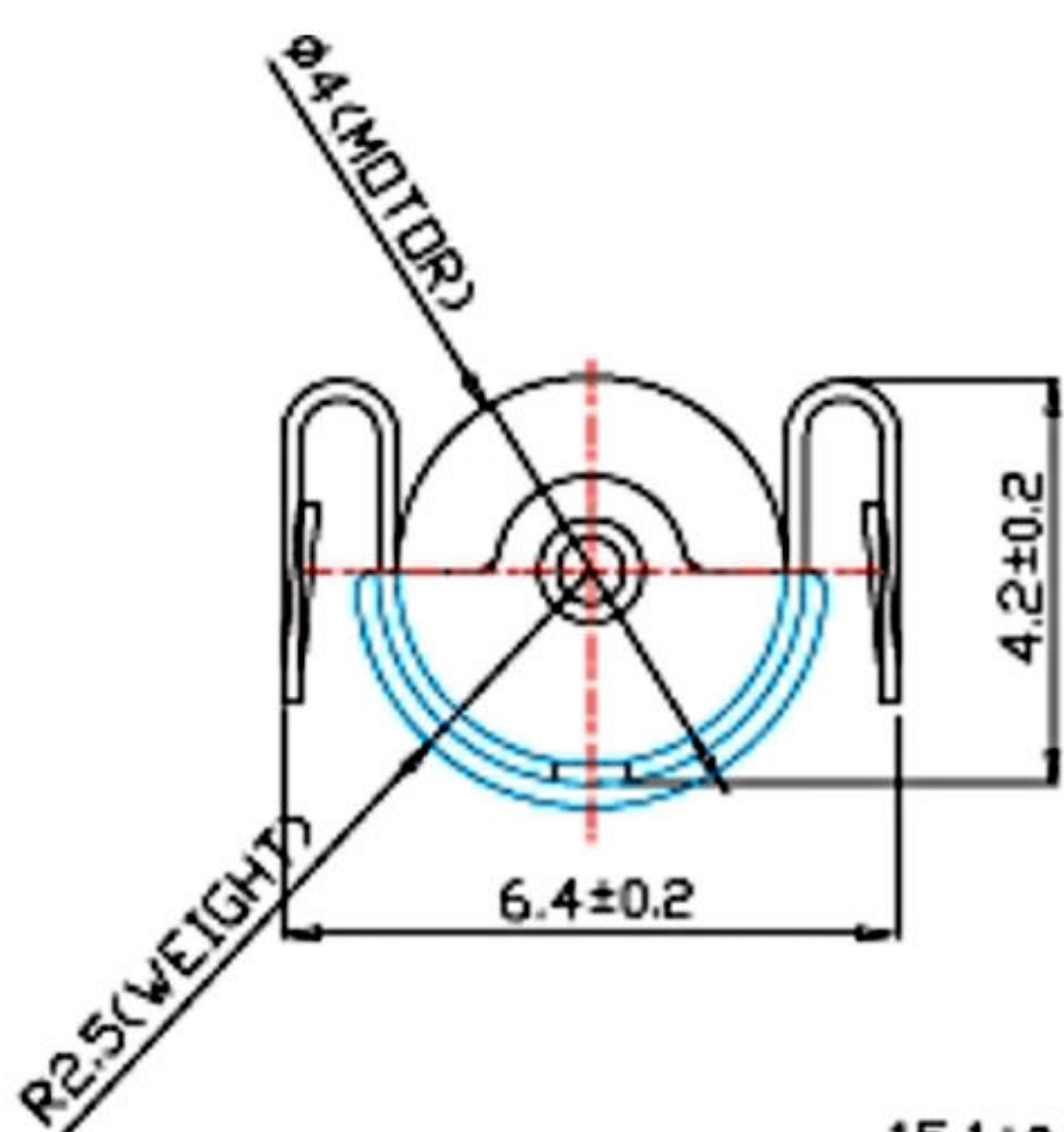


DC Vibration Motor

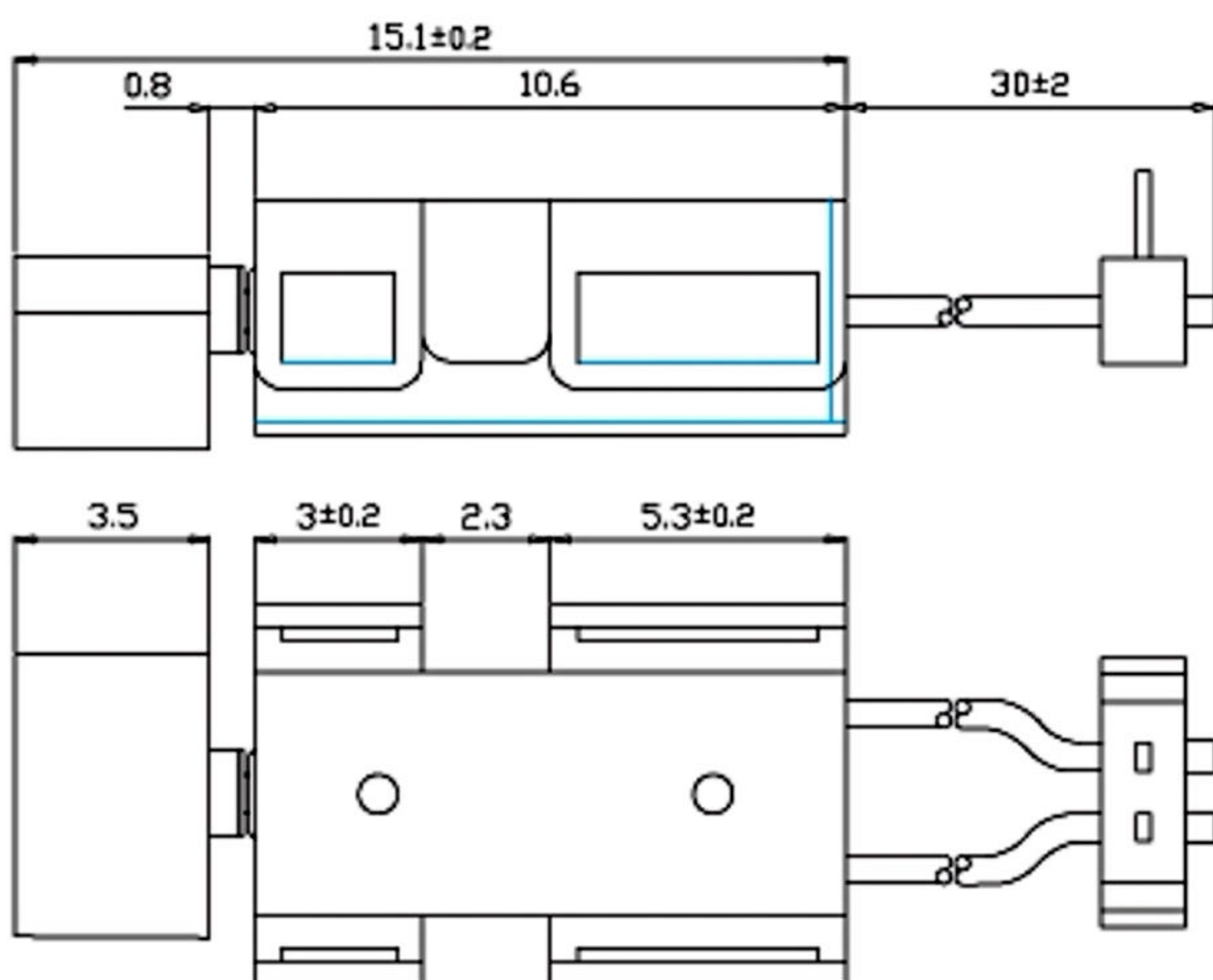
MBV413P-30BC



DIMENSIONS



- CONNECTOR**
1. MAKER : ELCO
 2. TERMINAL : 71-8005-999-000-887
 3. HOUSING : 61-8005-002-000-000
 4. LEAD WIRE : UL1517 AWG32(RED, BLUE)



SPECIFICATION

RATED VOLTAGE(V)	3.0
RATED CURRENT(mA)	95 MAX
STALL CURRENT(mA)	115 MAX
STARTING VOLTAGE(V)	2.0 MAX
RATED SPEED(RPM)	8,500 MIN
MOTOR WEIGHT(g)	1.4