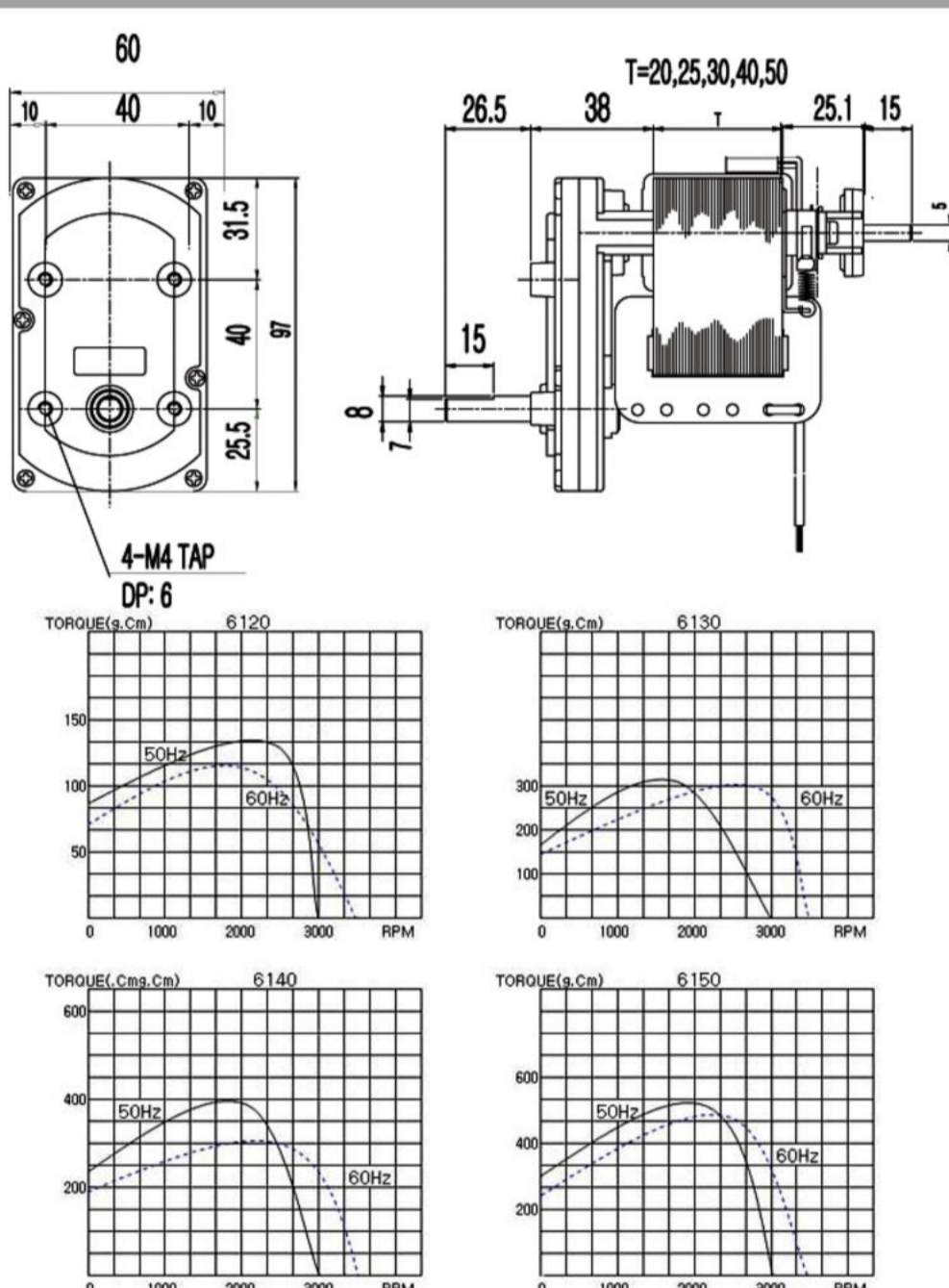


# AC Geared Motor KGB-Brake



## DIMENSIONS



## MOTOR PERFORMANCE DATA (110AC / 220AC)

MOTOR	6120		6130		6140		6150		NOTE
	110AC		110AC		110AC		110AC		
FREQ(Hz)	50	60	50	60	50	60	50	60	
OUT PUT(W)	2.5	2.9	4.6	5.0	6.4	6.8	8.5	9.1	
NO LOAD SPEED(RPM)	2850	3450	2850	3450	2850	3450	2850	3450	
NO LOAD CURRENT(A)	1.4	1.0	2.1	1.5	2.3	1.8	3.0	2.4	
START TORQUE(g.cm)	90	70	170	145	240	195	300	255	
STALL TORQUE(g.cm)	130	115	320	300	400	350	520	480	
RATED TORQUE(g.cm)	101	97	186	137	260	229	345	305	
RATED SPEED(g.cm)	2400	2900	2400	2900	2400	2900	2400	2900	
RUNNING TIME	5 MIN		5 MIN		5 MIN		5 MIN		

## MOTOR PERFORMANCE DATA (110AC / 220AC)

MOTOR	6120		6130		6140		6150		NOTE
	220AC		220AC		220AC		220AC		
FREQ(Hz)	50	60	50	60	50	60	50	60	
OUT PUT(W)	2.5	2.9	4.6	5.0	6.4	6.8	8.5	9.1	
NO LOAD SPEED(RPM)	2850	3450	2850	3450	2850	3450	2850	3450	
NO LOAD CURRENT(A)	0.7	0.5	1.1	0.7	1.2	0.8	1.5	1.2	
START TORQUE(g.cm)	90	70	170	145	240	195	300	255	
STALL TORQUE(g.cm)	130	115	320	300	400	350	520	480	
RATED TORQUE(g.cm)	101	97	186	137	260	229	345	305	
RATED SPEED(g.cm)	2400	2900	2400	2900	2400	2900	2400	2900	
RUNNING TIME	5 MIN		5 MIN		5 MIN		5 MIN		

## AT MAXIMUM EFFICIENCY

MOTOR	6120				6130				6140				6150			
	50		60		50		60		50		60		50		60	
FREQ(Hz)	RPM	Kg.Cm	RPM	Kg.Cm	RPM	Kg.Cm	RPM	Kg.Cm	RPM	Kg.Cm	RPM	Kg.Cm	RPM	Kg.Cm	RPM	Kg.Cm
1/10	240.0	0.7	290.0	0.7	240.0	1.4	290.0	1.0	240.0	1.9	290.0	1.7	240.0	2.5	290.0	2.2
1/15	160.0	1.1	193.3	1.1	160.0	2.0	193.3	1.5	160.0	2.8	193.3	2.5	160.0	3.8	193.3	3.3
1/21	114.3	1.5	138.1	1.5	114.3	2.8	138.1	2.1	114.3	4.0	138.1	3.5	114.3	5.3	138.1	4.7
1/27	88.9	2.0	107.4	1.9	88.9	3.7	107.4	2.7	88.9	5.1	107.4	4.5	88.9	6.8	107.4	6.0
1/36	66.7	2.7	80.6	2.5	66.7	4.9	80.6	3.6	66.7	6.8	80.6	6.0	66.7	9.1	80.6	8.0
1/43	55.8	3.2	67.4	3.0	55.8	5.8	67.4	4.3	55.8	8.2	67.4	7.1	55.8	10.8	67.4	9.6
1/47	51.1	3.5	61.7	3.3	51.1	6.4	61.7	4.7	51.1	8.9	61.7	7.8	51.1	11.8	61.7	10.5
1/55	43.6	4.0	52.7	3.9	43.6	7.5	52.7	5.5	43.6	10.4	52.7	9.1	43.6	13.8	52.7	12.2
1/60	40.0	4.4	48.3	4.2	40.0	8.1	48.3	6.0	40.0	11.4	48.3	10.0	40.0	15.1	48.3	13.3
1/75	32.0	5.5	38.7	5.3	32.0	10.2	38.7	7.5	32.0	14.2	38.7	12.5	32.0	18.9	38.7	16.7
1/86	27.9	6.3	33.7	6.1	27.9	11.7	33.7	8.6	27.9	16.3	33.7	14.3	27.9	20.0	33.7	19.1
1/100	24.0	7.4	29.0	7.1	24.0	13.6	29.0	10.0	24.0	19.0	29.0	16.6	24.0	20.0	29.0	20.0
1/115	20.9	8.5	25.2	8.1	20.9	15.6	25.2	11.5	20.9	20.0	25.2	19.1	20.9	20.0	25.2	20.0
1/126	19.0	9.3	23.0	8.9	19.0	17.1	23.0	12.6	19.0	20.0	23.0	20.0	19.0	20.0	23.0	20.0
1/131	18.3	9.6	22.1	9.3	18.3	17.8	22.1	13.1	18.3	20.0	22.1	20.0	18.3	20.0	22.1	20.0
1/154	15.6	11.3	18.8	10.9	15.6	20.0	18.8	15.4	15.6	20.0	18.8	20.0	15.6	20.0	18.8	20.0
1/172	14.0	12.7	16.9	12.2	14.0	20.0	16.9	17.2	14.0	20.0	16.9	20.0	14.0	20.0	16.9	20.0
1/215	11.2	15.8	13.5	15.2	11.2	20.0	13.5	20.0	11.2	20.0	13.5	20.0	11.2	20.0	13.5	20.0
1/300	8.0	19.9	9.7	19.1	8.0	20.0	9.7	20.0	8.0	20.0	9.7	20.0	8.0	20.0	9.7	20.0
1/380	6.3	20.0	7.6	20.0	6.3	20.0	7.6	20.0	6.3	20.0	7.6	20.0	6.3	20.0	7.6	20.0
1/408	5.9	20.0	7.1	20.0	5.9	20.0	7.1	20.0	5.9	20.0	7.1	20.0	5.9	20.0	7.1	20.0
1/532	4.5	20.0	5.5	20.0	4.5	20.0	5.5	20.0	4.5	20.0	5.5	20.0	4.5	20.0	5.5	20.0
1/673	3.6	20.0	4.3	20.0	3.6	20.0	4.3	20.0	3.6	20.0	4.3	20.0	3.6	20.0	4.3	20.0
1/825	2.9	20.0	3.5	20.0	2.9	20.0	3.5	20.0	2.9	20.0	3.5	20.0	2.9	20.0	3.5	20.0