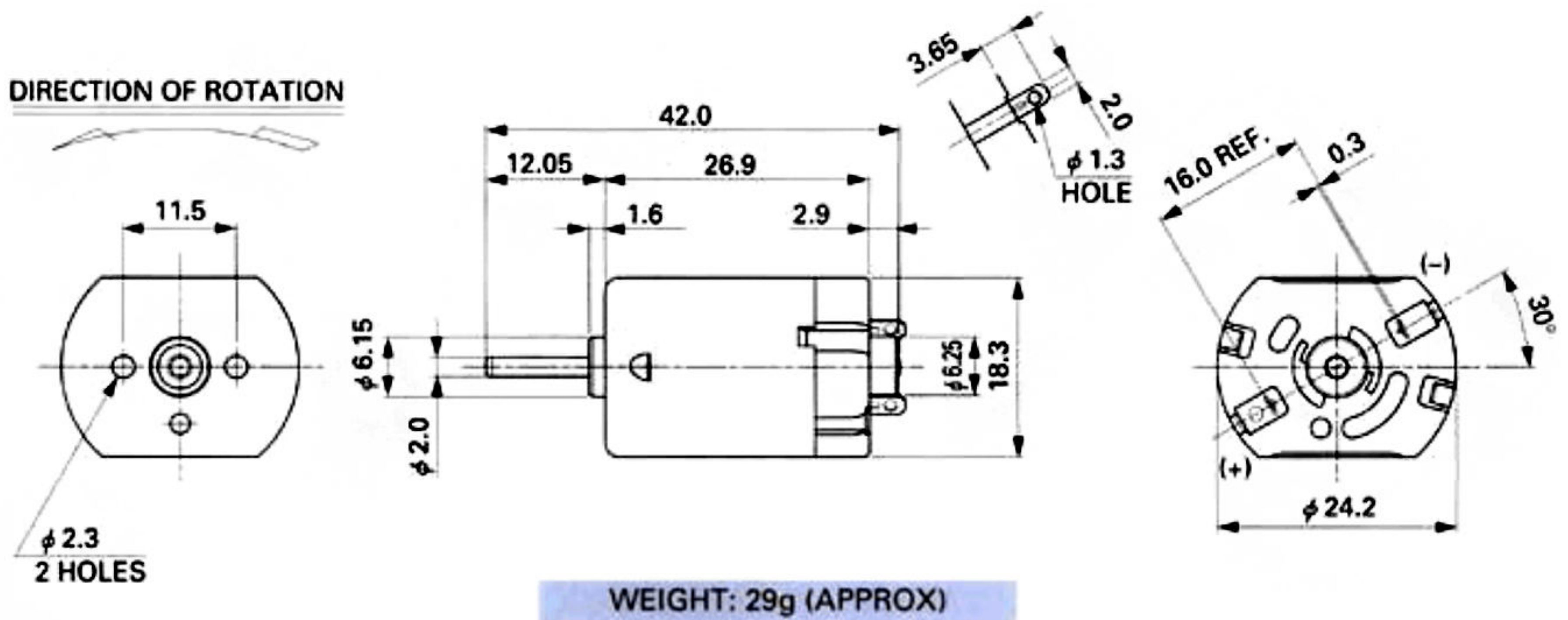


MABUCHI Small DC FK-260RA/SA



DIMENSIONS



SPECIFICATION

MODEL	VOLTAGE		NO LOAD		AT MAXIMUM EFFICIENCY				STALL			
	OPERATING RANGE	NOMINAL	SPEED	CURRENT	SPEED	CURRENT	TORQUE		OUTPUT	TORQUE		CURRENT
			r/min	A	r/min	A	g·cm	mN·m	W	g·cm	mN·m	A
FK-260RA-10400	10~15	12V CONSTANT	8800	0.035	7100	0.15	13	1.27	0.95	70	6.86	0.60
FK-260RA-08450	12~24	12V CONSTANT	7700	0.030	5900	0.10	10	0.98	0.61	44	4.31	0.35
FK-260SA-09450	12~24	12V CONSTANT	5700	0.030	4400	0.11	15	1.47	0.68	74	7.25	0.42
FK-260SA-12300	10~15	12V CONSTANT	8700	0.040	7500	0.18	17	1.67	1.31	115	11.3	1.00