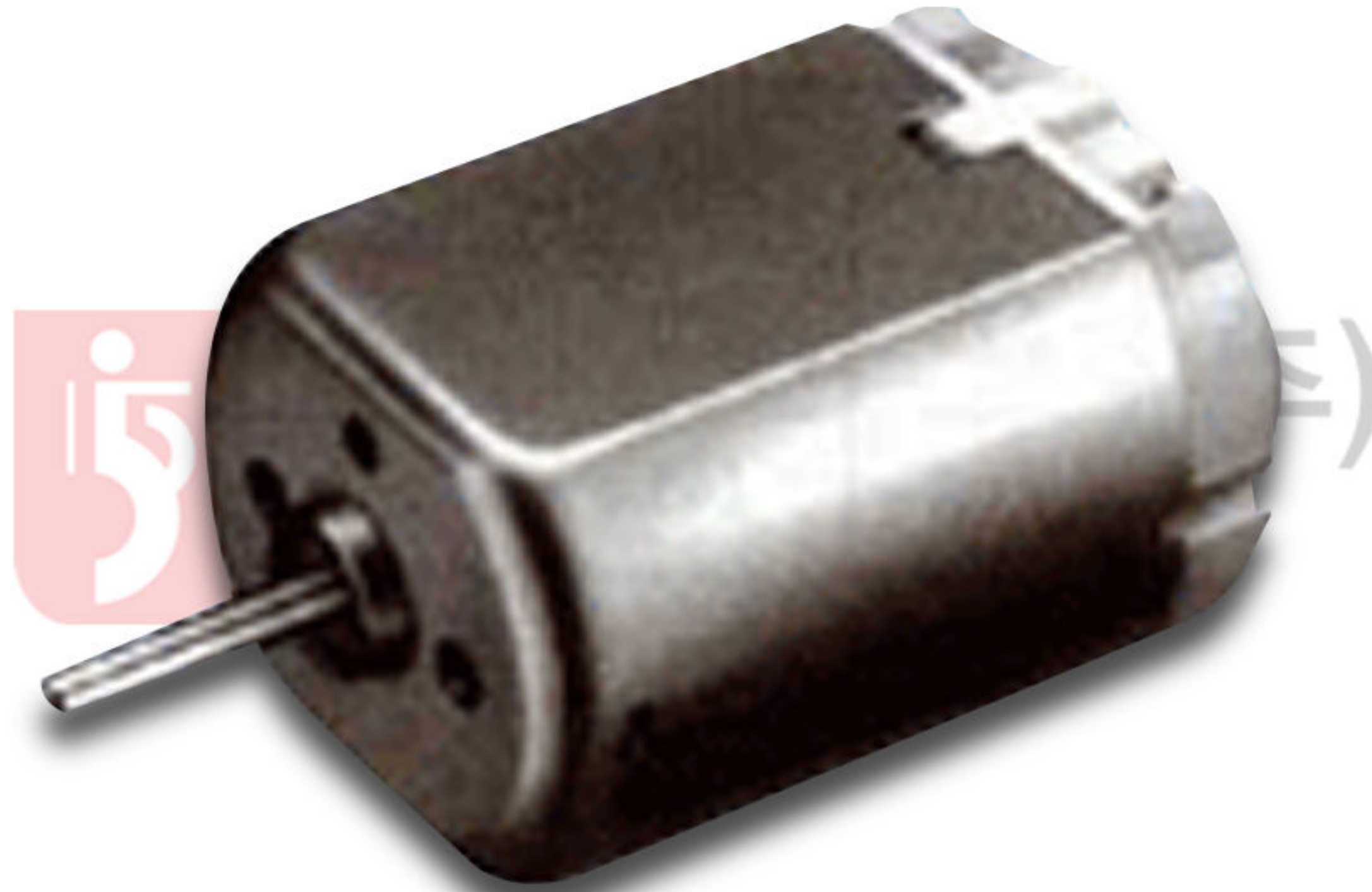
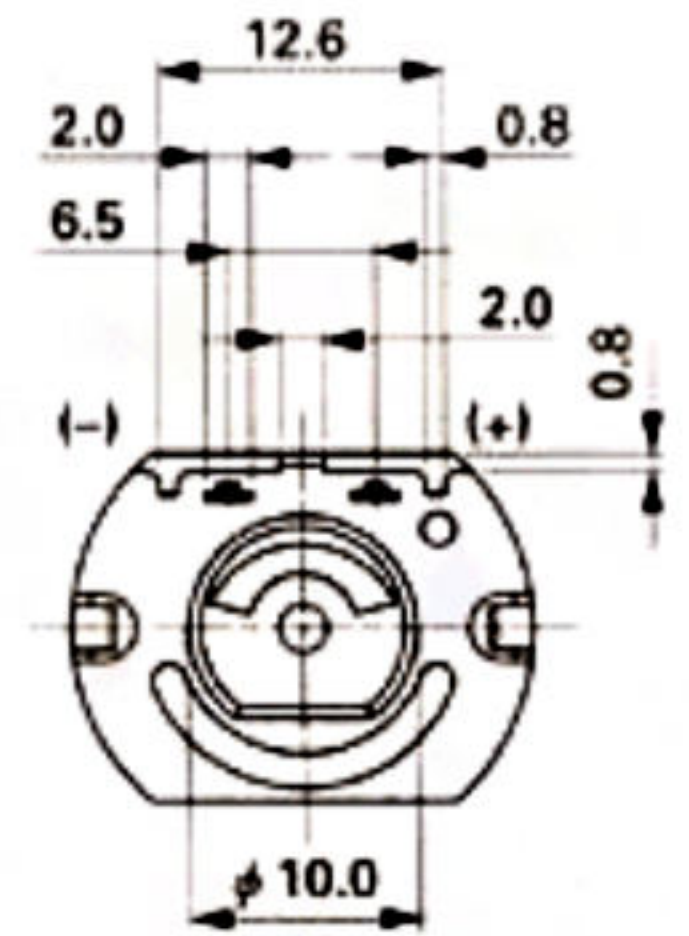
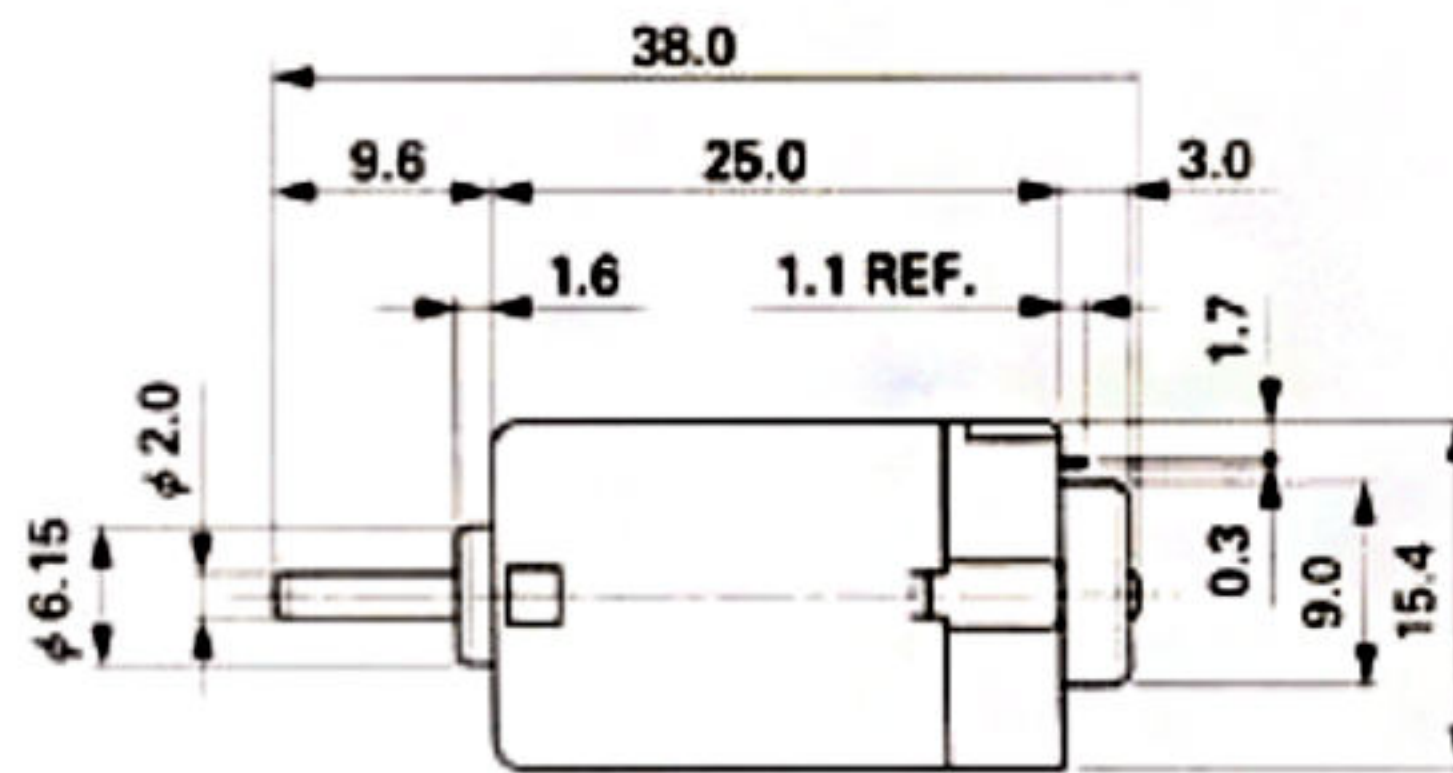
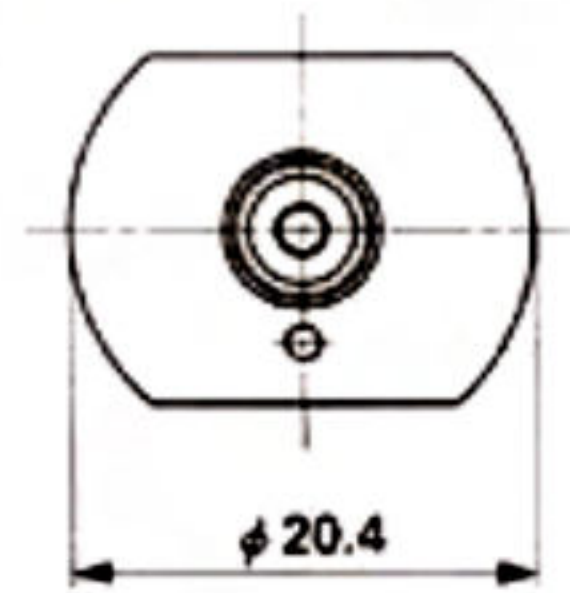


MABUCHI Small DC FK-130RD/SD

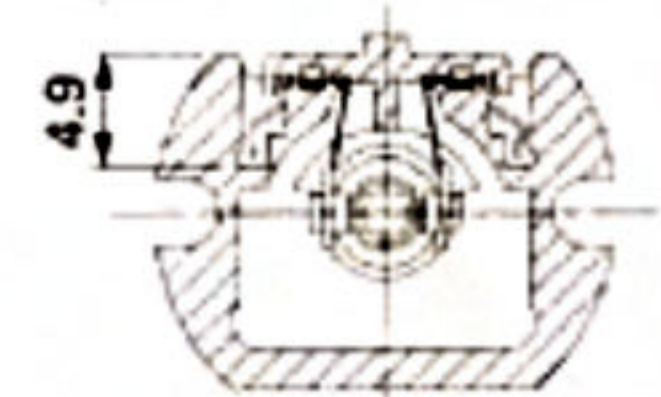


DIMENSIONS

DIRECTION OF ROTATION



端子構造形断面図
Section of Terminal Structure Part.



WEIGHT: 24g (APPROX)

SPECIFICATION

MODEL	VOLTAGE		NO LOAD		AT MAXIMUM EFFICIENCY					STALL		
	OPERATING RANGE	NOMINAL	SPEED	CURRENT	SPEED	CURRENT	TORQUE		OUTPUT	TORQUE		CURRENT
			r/min	A	r/min	A	g-cm	mN-m	W	g-cm	mN-m	A
FK-130RD-09490	9~15	12V CONSTANT	8800	0.030	6800	0.11	8.0	0.78	0.56	38	3.72	0.38
FK-130SD-09390	9~15	12V CONSTANT	8400	0.045	7100	0.12	8.0	0.78	0.58	54	5.29	0.49