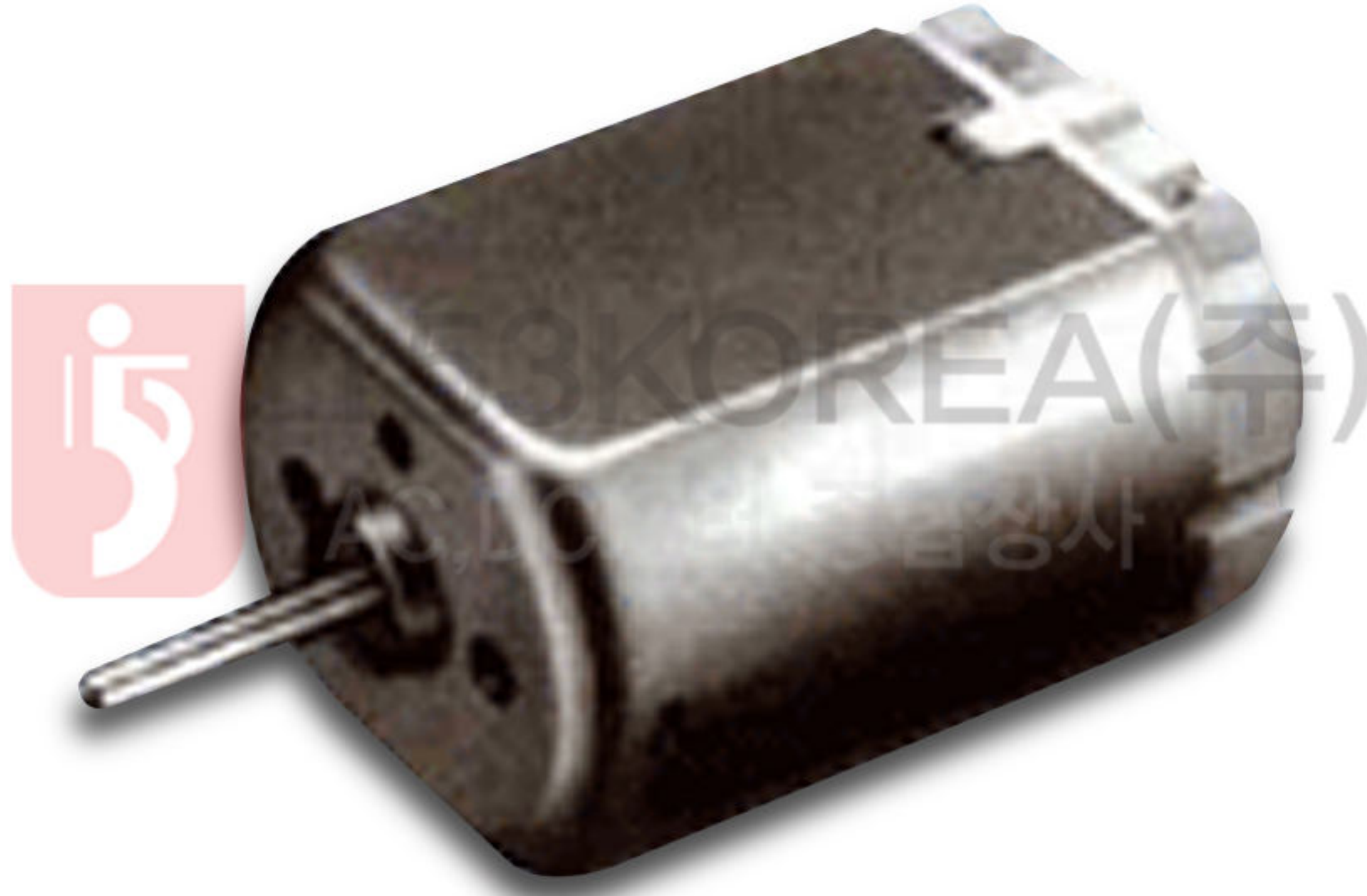
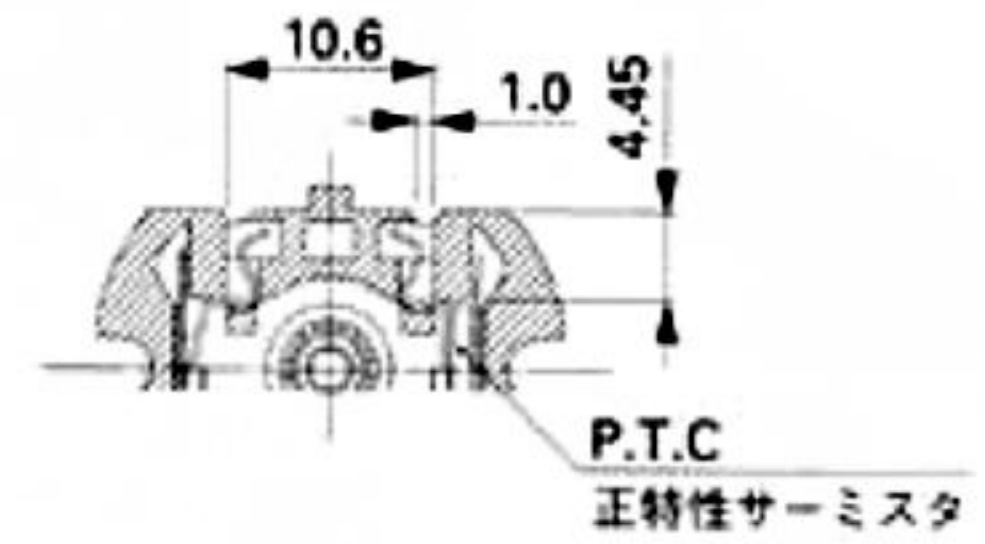
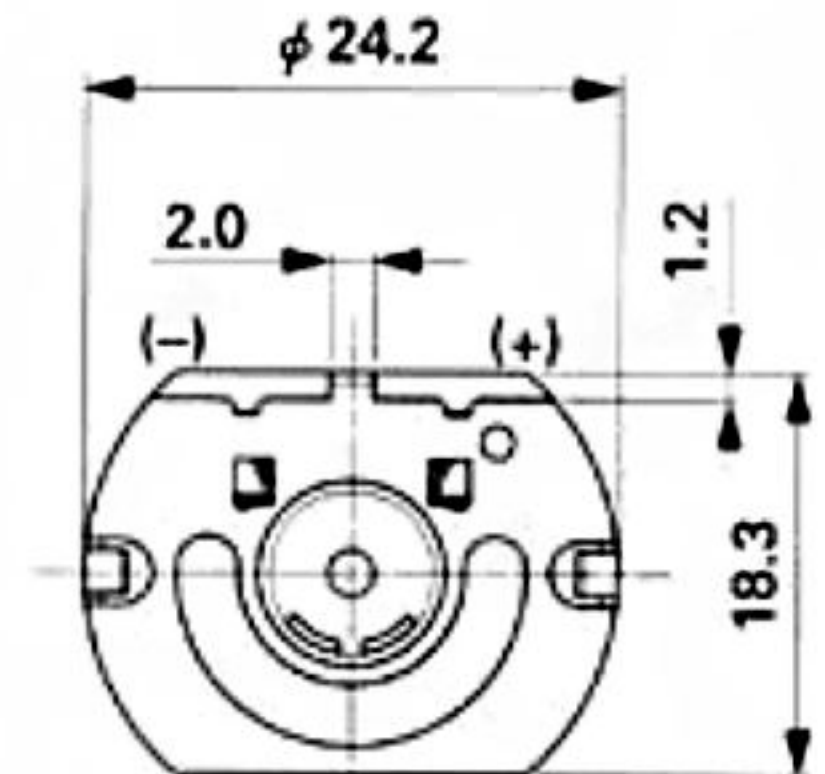
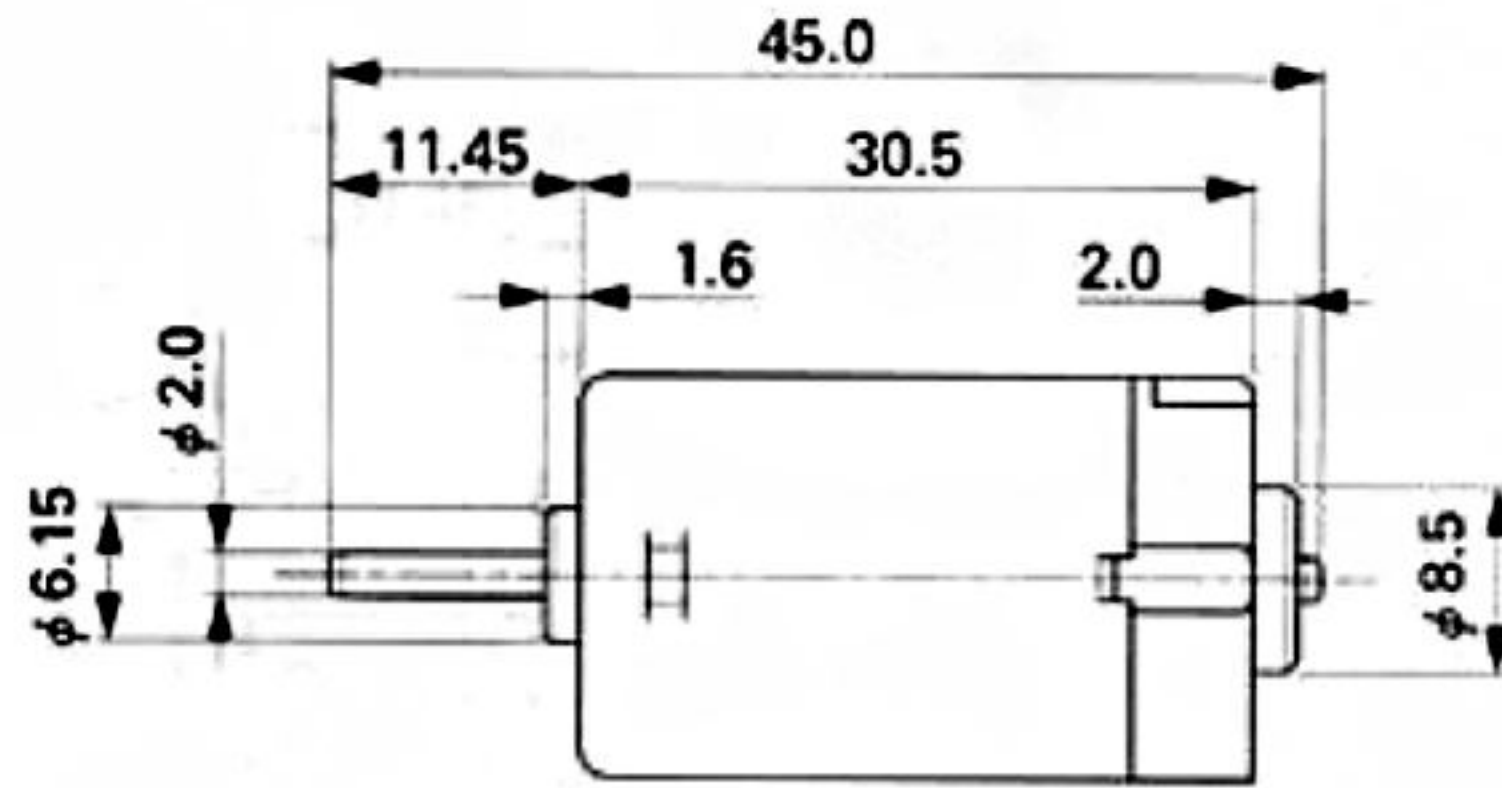
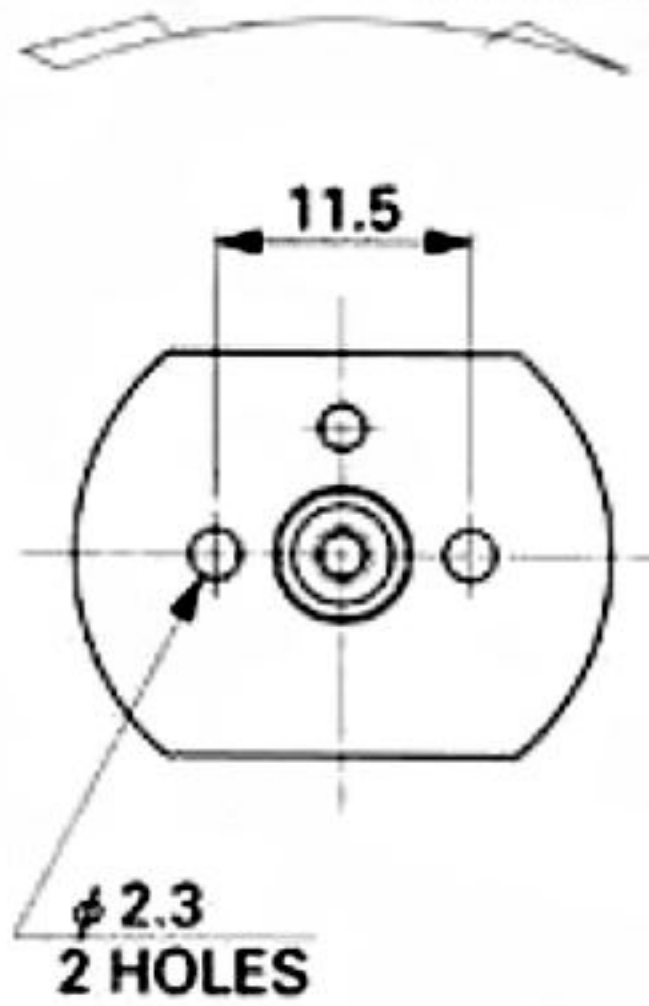


MABUCHI Small DC FC-280PT/ST



DIMENSIONS

DIRECTION OF ROTATION



WEIGHT: 35g (APPROX)

SPECIFICATION

MODEL	VOLTAGE		NO LOAD		AT MAXIMUM EFFICIENCY					STALL		
	OPERATING RANGE	NOMINAL	SPEED	CURRENT	SPEED	CURRENT	TORQUE		OUTPUT	TORQUE		CURRENT
			r/min	A	r/min	A	g·cm	mN·m	W	g·cm	mN·m	A
FC-280PT-20150	9~15	12V CONSTANT	12500	0.12	10500	0.67	40	3.92	4.31	270	26.5	3.70
FC-280ST-18180	9~15	12V CONSTANT	11400	0.050	10000	0.45	30	2.94	3.08	245	24.0	3.00