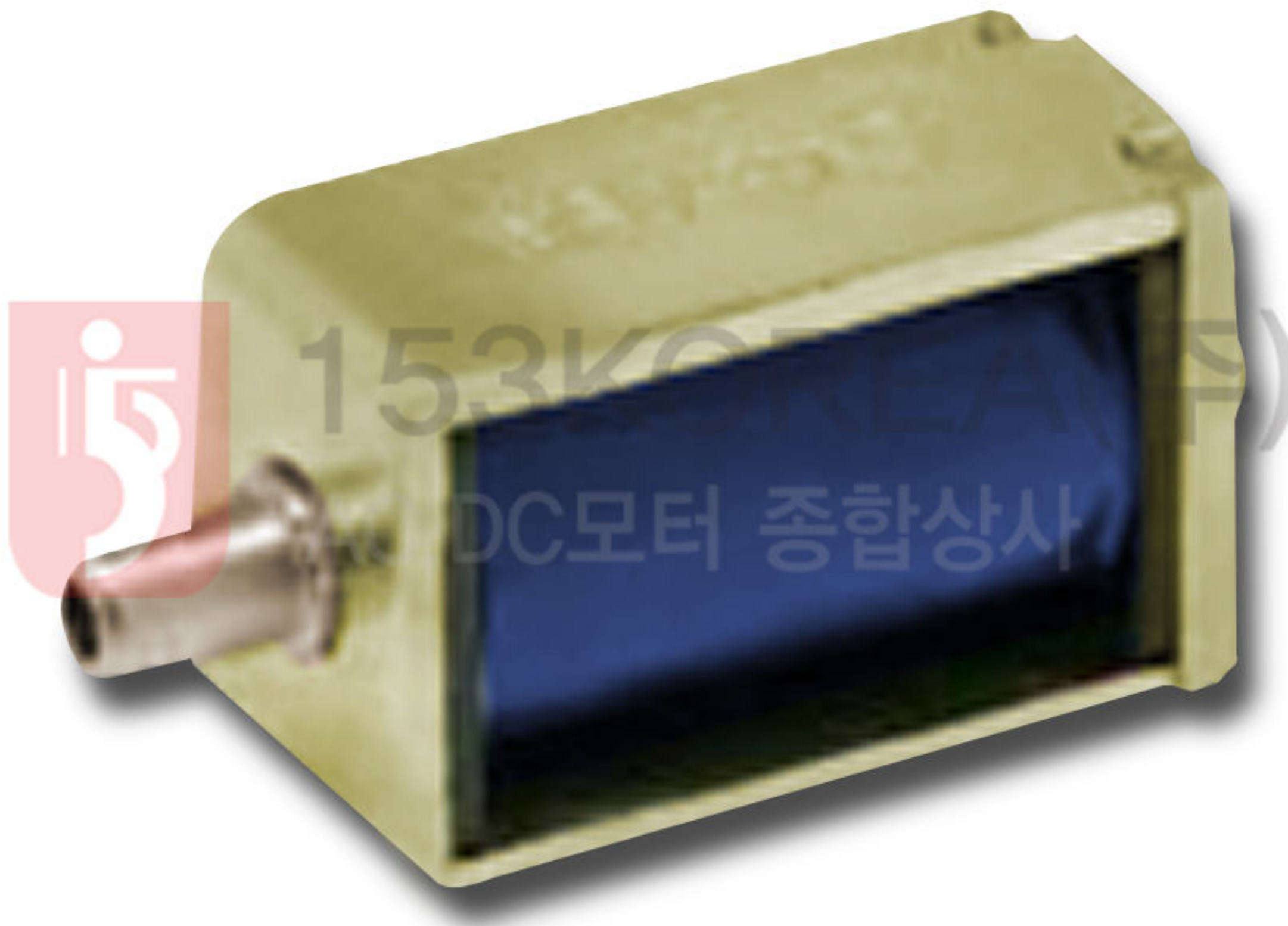


DC Solenoid VALVE

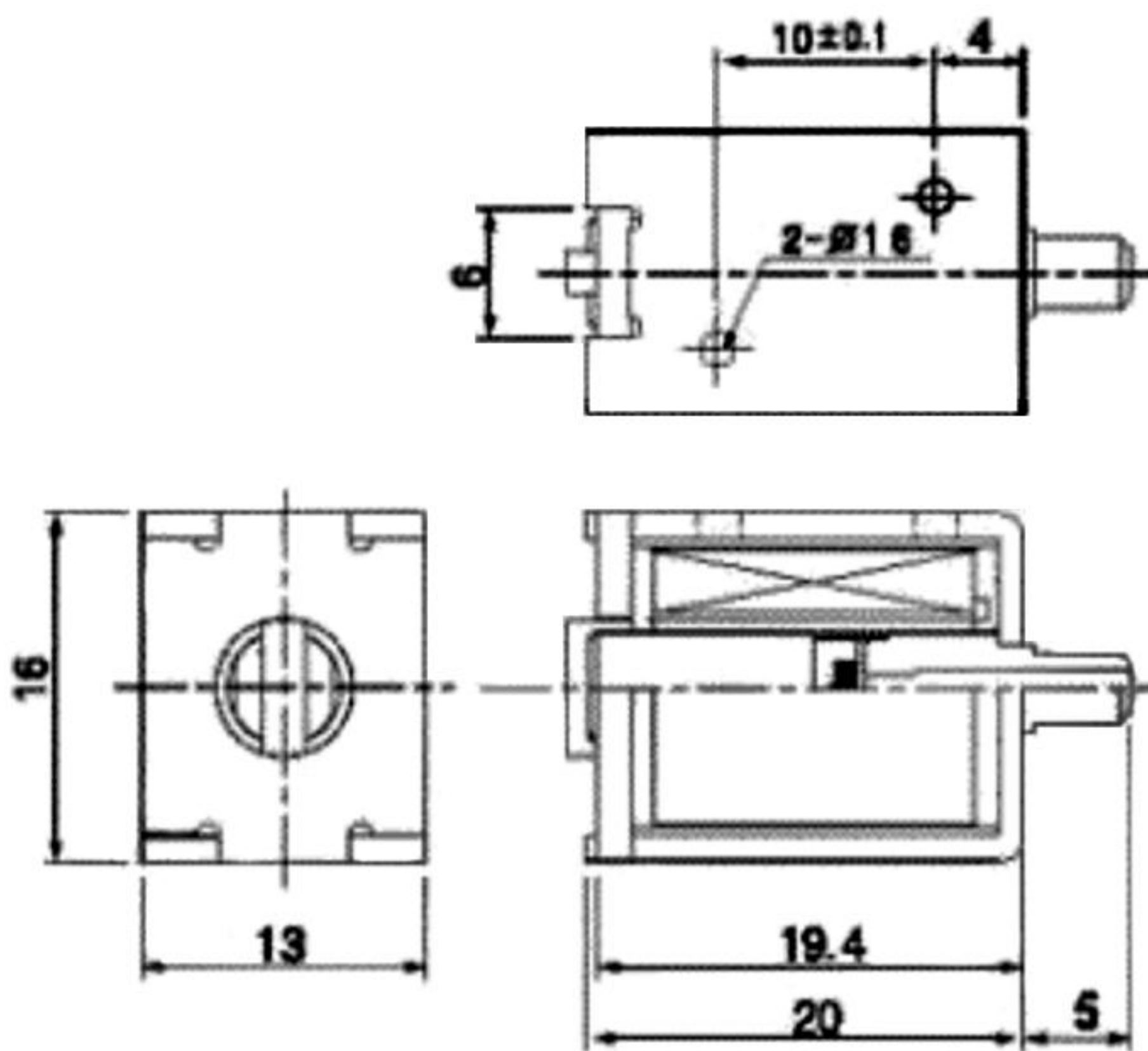
DVL-05A408-01



SPECIFICATION

- Voltage : DC 6V
- Minimum Voltage : DC 3.5V~6V
- Current : 75mA
- Wattage : 0.45W
- Pressure : MAX 300mmHg
- Use Condition : Continuance
- Use Fluid : Air
- Insulation Class : A
- Leak Velocity : 10mmHg/5SCE

DIMENSION



DIMENSION

- R (insulation) : 50MΩ @ 500V DC
- Dielectric Strength : 1000V AC, 1min
- Insulation Garde : E (except lead)