

DC Solenoid VALVE

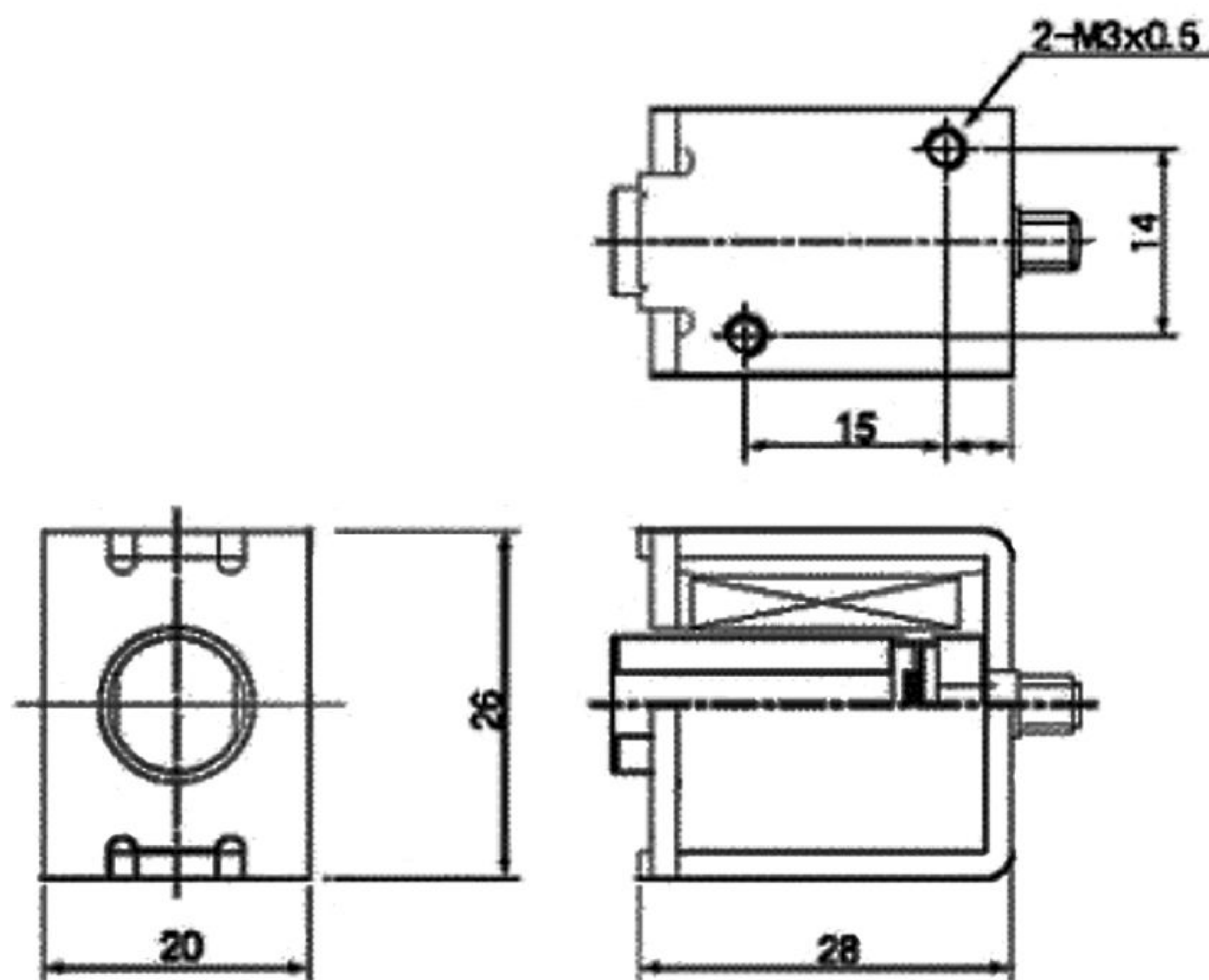
DVH-10S145-01



SPECIFICATION

- Voltage : DC 12V
- Minimum Voltage : DC 9V~13V
- Current : 82mA
- Wattage : 984mW
- Resistance " 145 Ω
- Use Fluid : Air
- Pressure : MAX 500mmHg
- Insulation Class : A

DIMENSION



CHARACTERISTICS

- R (insulation) : 50MΩ @ 500V DC
- Dielectric Strength : 1000V AC, 1min
- Insulation Garde : A (except lead)