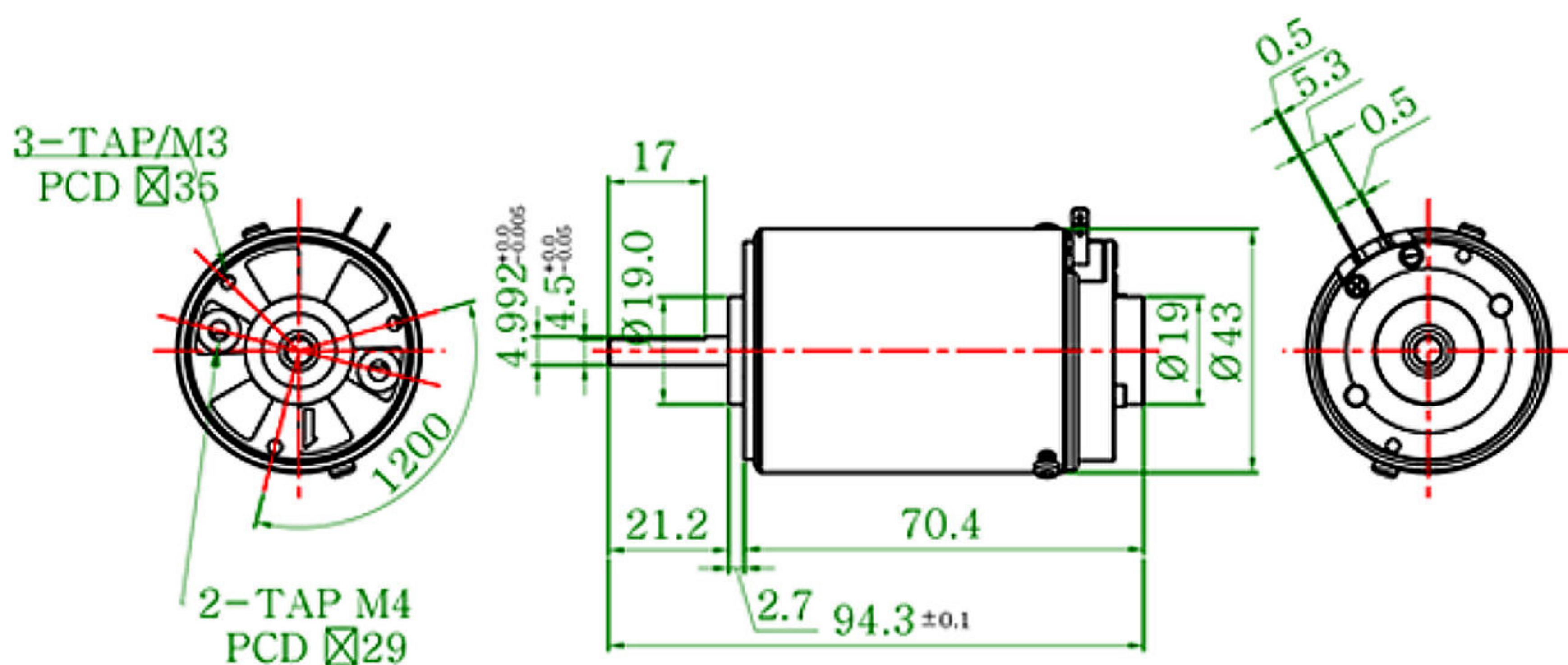


# DC GEARED MOTOR

## DMA43BB



### DIMENSIONS



### MOTOR SPECIFICATION

Model	OUTPUT W	VOLTAGE V	NO LOAD		AT RATED LOAD			STALL TORQUE		STATING VOLTAGE V(min)	RUN DUTY HR	WEIGHT g
			Current A	RPM r/min	Current A	RPM r/min	Torque kg/cm	Current A	Torque kg/cm			
DMA43BB	14.8	24	0.15	4,300	0.94	3,600	0.4	4.94	2.6	1.5	4,000	380