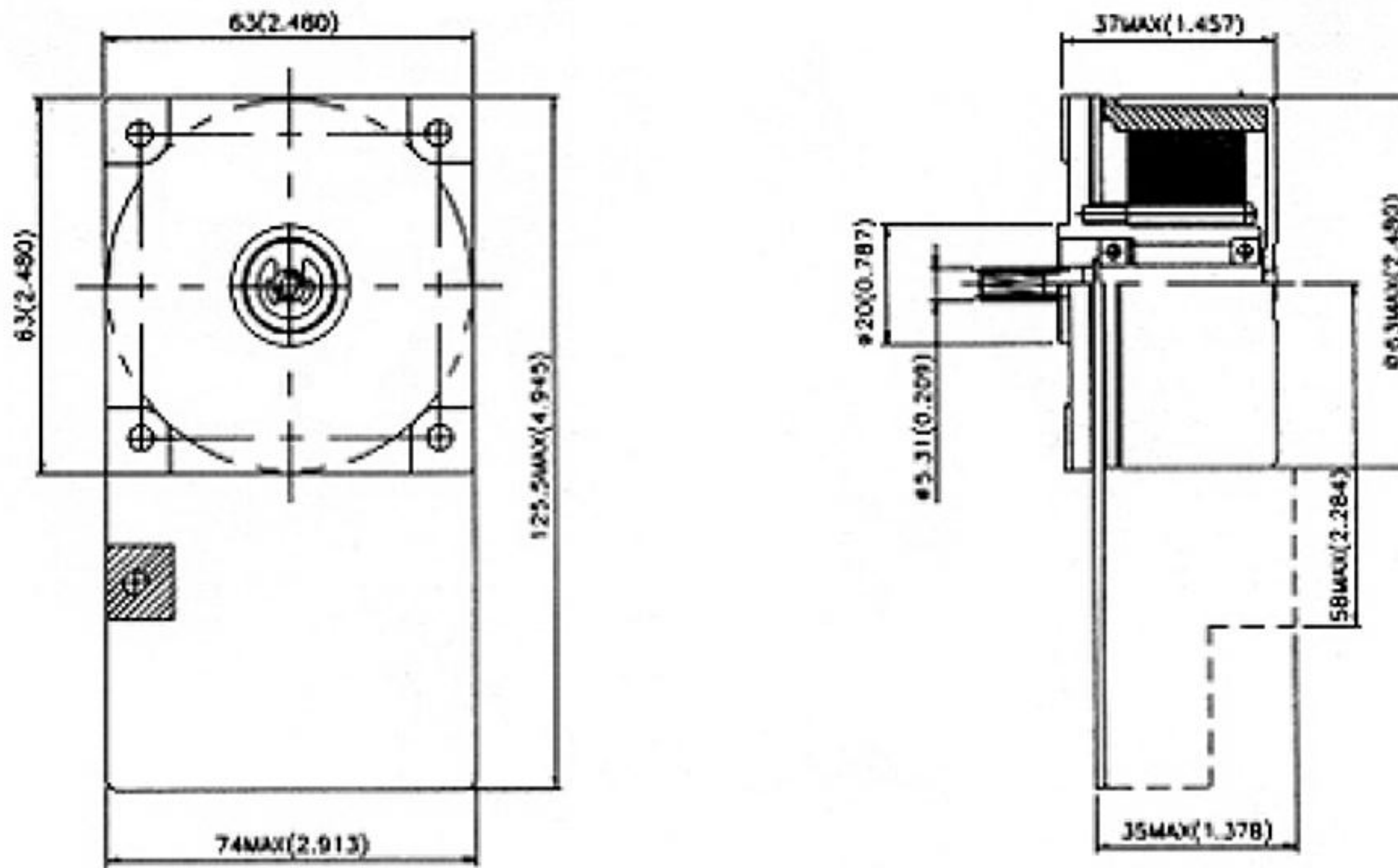


Outer Rotor DLG-63TYPE



DIMENSIONS



CHARACTERISTICS LIST

Type	V	Hz	LOAD		LOAD				INS CLASS	PCB OF DRIVE
			INPUT (Wi)	SPEED (RPM)	MAXIMUM TORQUE (oz. in)	SPEED (RPM)	INPUT (Wi)	OUTPUT (Wo)		
DLG-73820	DC24	-	5	1212.6 ± 1.2	56.8	1012.6 ± 1.2	60	40	A	INTERNAL
DLG-63815	DC24	-	5	2252 ± 1.2	22.2	2252 ± 1.2	46	30	A, B	INTERNAL
DLG-50615	DC24	-	4	1711.53 ± 1.2	18	0711.53 ± 1.2	36	22	A	INTERNAL
DLG-45813	DC24	-	4	1500.015 ± 1.2	19.8	1500.015 ± 1.2	22	15	A	INTERNAL