

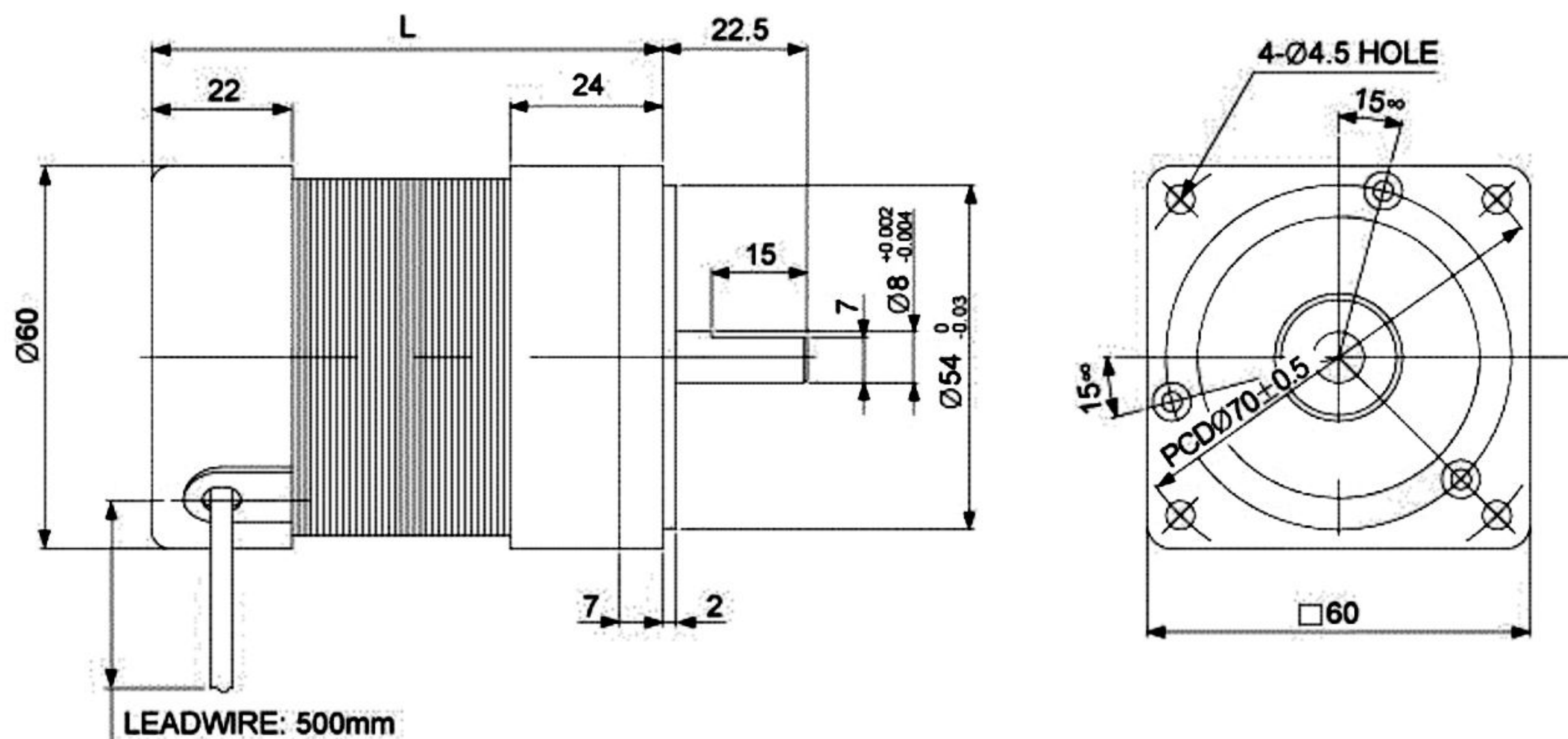
Bldc Motor

BLDC □60

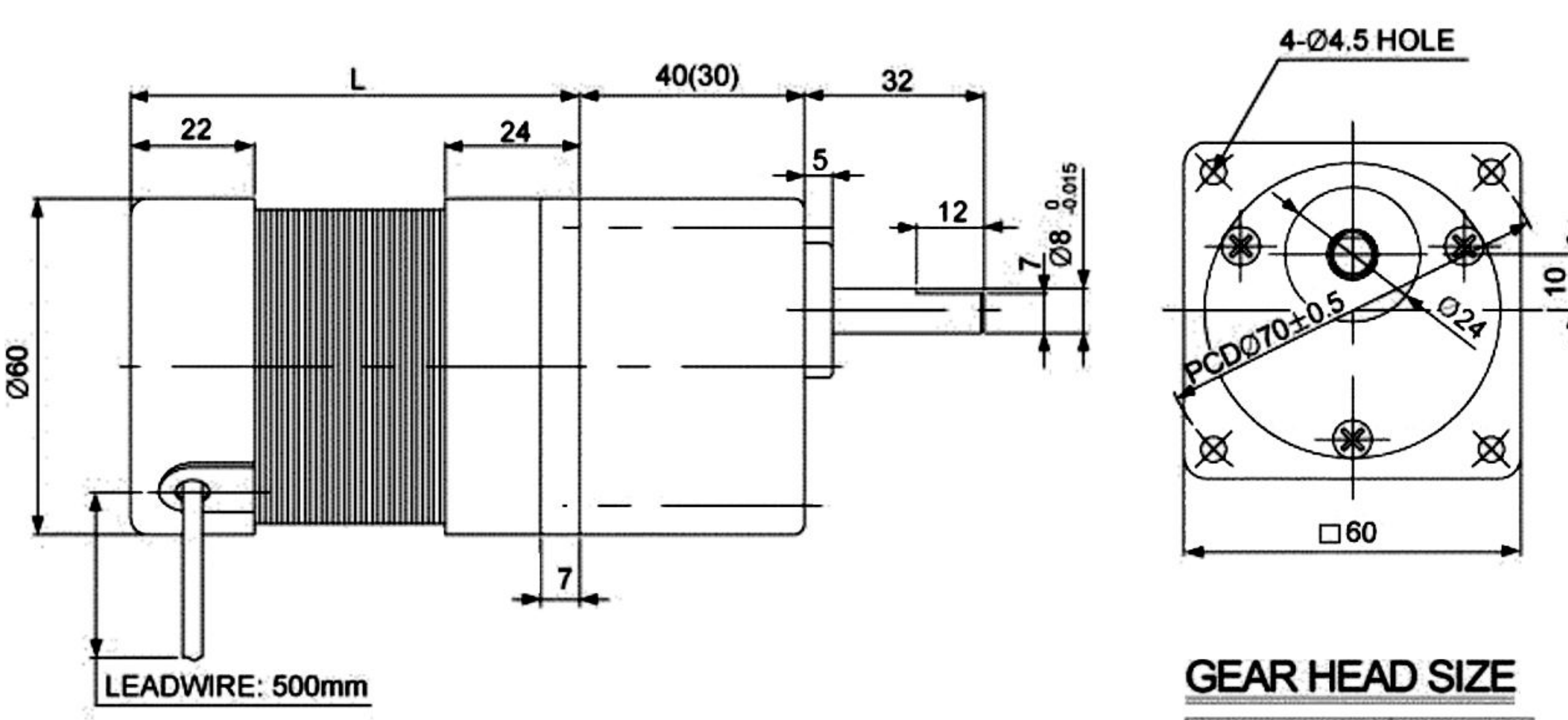


DIMENSIONS(mm)

BD60



BG60



GEAR HEAD SIZE

GEAR RATIO	SIZE
3/1 ~ 18/1	30
20/1 ~ 200/1	40

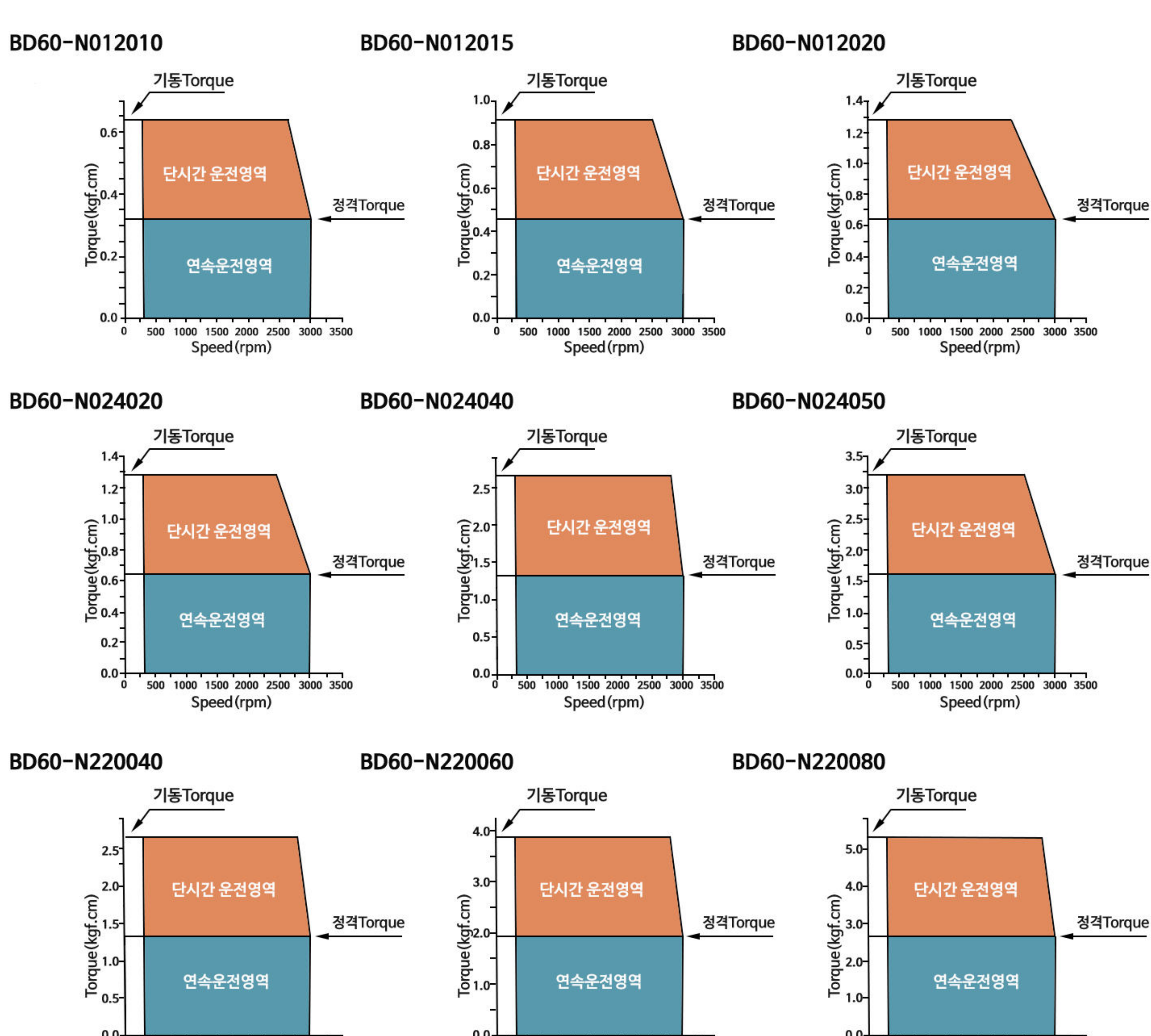
SPECIFICATION

MODEL	BD60									
	N012010	N012015	N012020	N024020	N024040	N024050	N220040	N220060	N220080	
Rated Voltage	V	12			24			220		
Rated Output	W	10	15	20	20	40	50	40	60	80
Rated Current	A	1.4	2.0	2.8	1.4	2.8	3.5	0.7	0.9	1.2
Rated Speed	r/min	3000								
Rated Torque	kgf-cm	0.3	0.4	0.6	0.6	1.3	1.6	1.3	1.9	2.5
Weight	kg	0.5	0.6	0.7	0.5	0.6	0.7	0.5	0.6	0.7
Applicable Driver		SBDM-05A						*SBDSMA-02A/ *SBDSMI-03A/ *SBDSMS-03A		

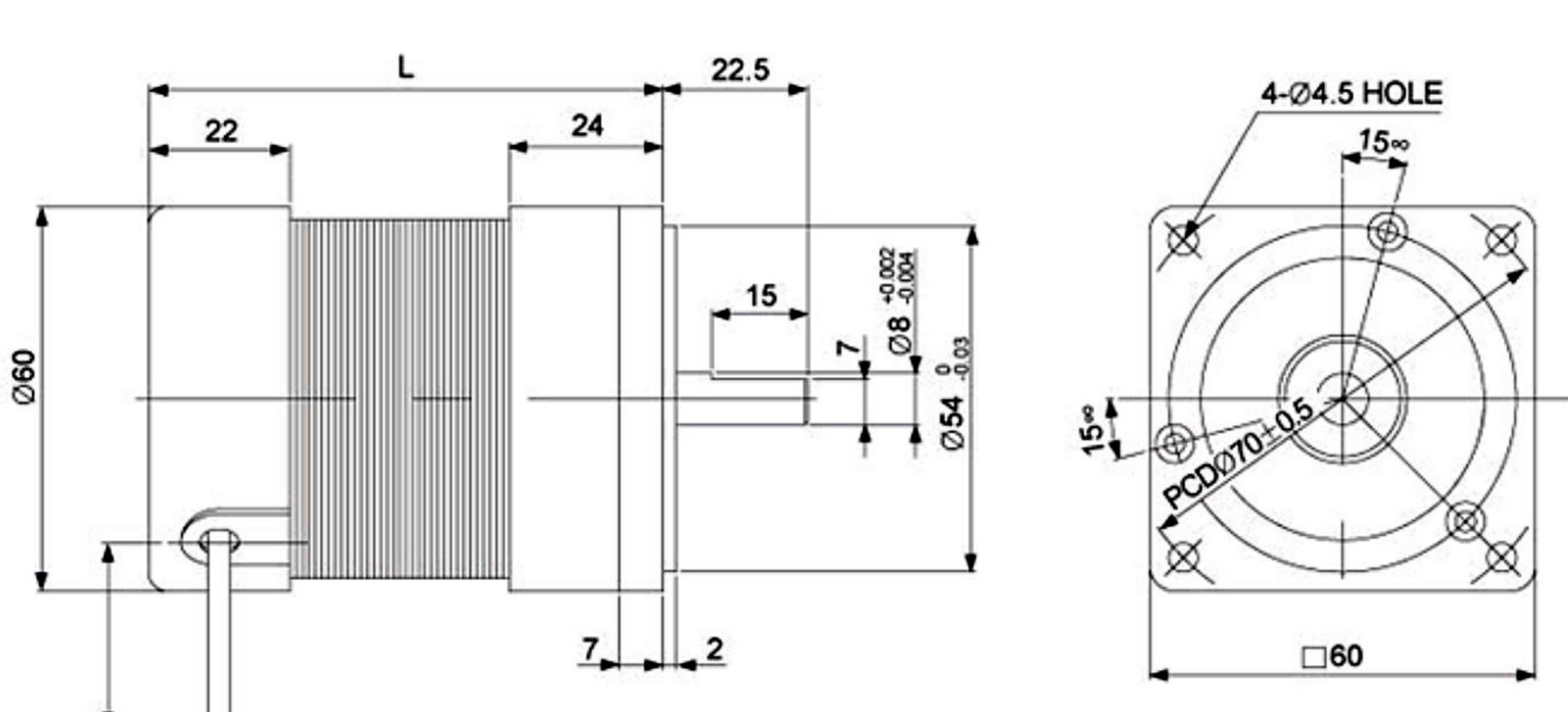
L	MODEL
60	N012010 / N024020 / N220040
70	N012015 / N024040 / N220060
80	N012020 / N024050 / N220080

CHARACTERISTICS

BD60



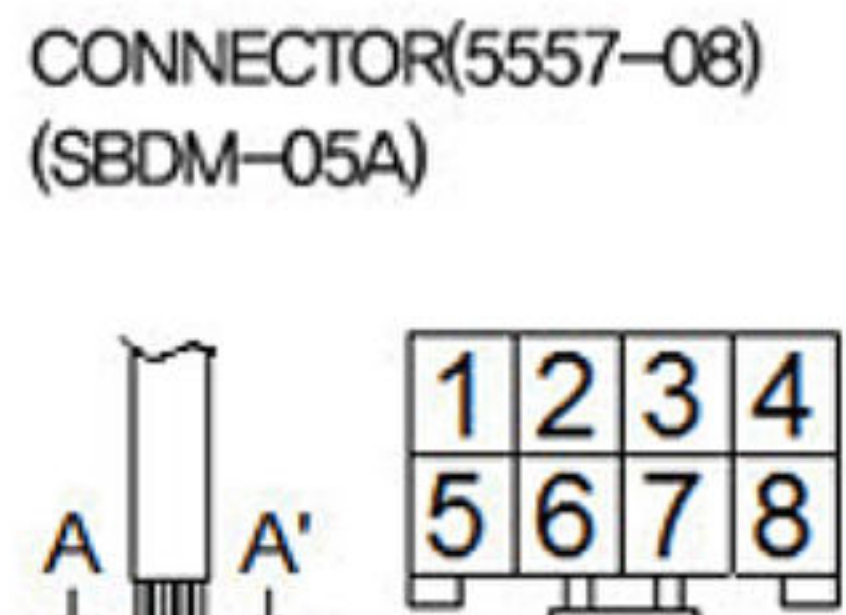
CONNECTION



CONNECTOR(5557-08)

PIN NO.	Cable Color	Lead Wire	Remark
1	ORANGE	AWG 24	Vcc
2	RED	AWG 20	U
3	YELLOW	AWG 20	V
4	BLUE	AWG 20	W
5	BLACK	AWG 24	GND
6	WHITE	AWG 24	Hu
7	GREEN	AWG 24	Hv
8	BROWN	AWG 24	Hw

CONNECTOR(5557-08) (SBDM-05A)



CONNECTOR(5557-12)

PIN NO.	Cable Color	Lead Wire	Remark
1	BLUE	AWG 20	W
2			
3			
4	BROWN	AWG 24	Hw
5	GREEN	AWG 24	Hv
6	WHITE	AWG 24	Hu
7	YELLOW	AWG 20	V
8	RED	AWG 20	U
9	SHIELD		
10			
11	ORANGE	AWG 24	Vcc
12	BLACK	AWG 24	GND

CONNECTOR(5557-08) (SBDM-05A)

