

# AC Close Flow Fan

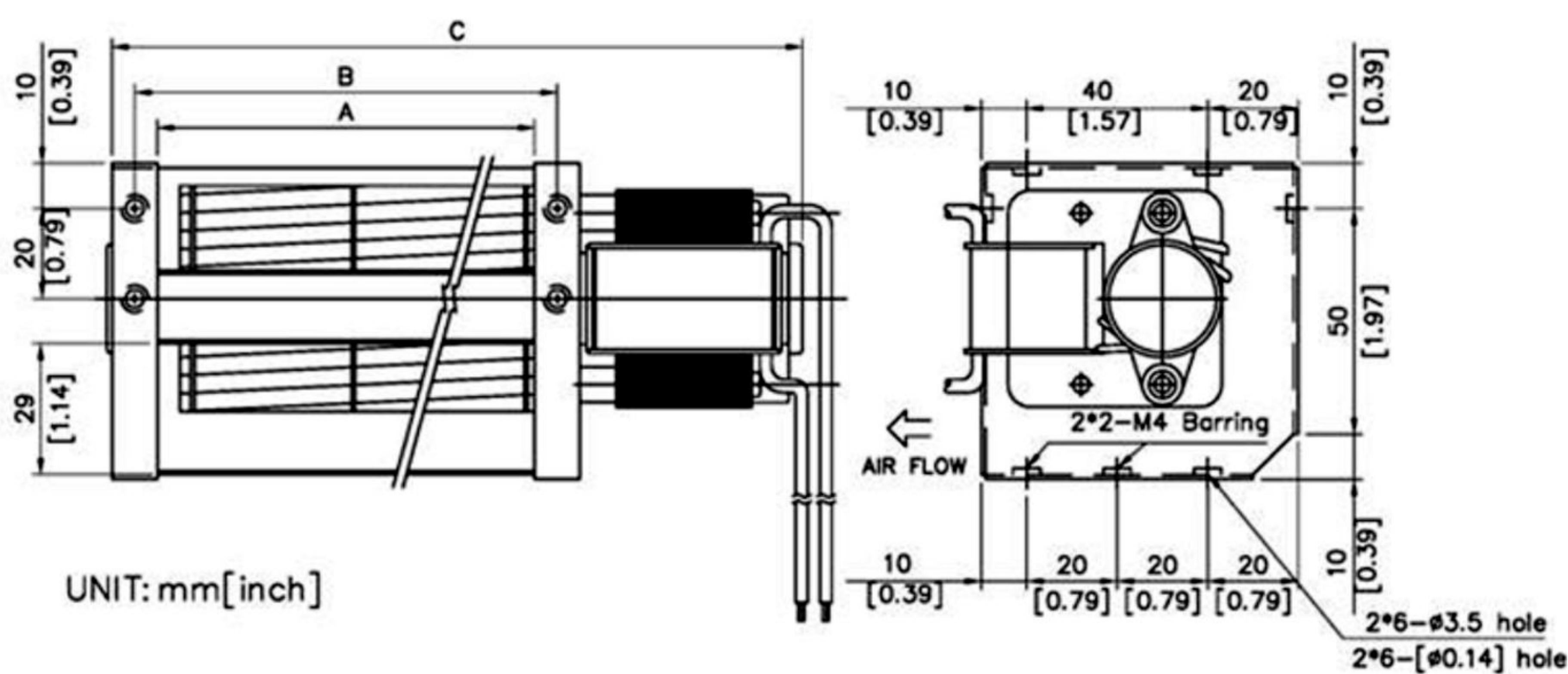
## AFS50



### 제품사진



### 외형도



HOUSING : Metal / Aluminum	DIELECTRIC STRENGTH : 1,500 VAC for 1 minute
IMPELLER : Aluminum, diameter 60 mm	INSULATION : Class E
BEARING : Sleeve or Ball	INSULATION RESISTANCE : 10 MEG Ohms Min @500 VDC
OPERATING TEMPERATURE : Sleeve bearing: -10°C to+70°C Ball bearing: -30°C to+75°C	SAFETY : Impedance Protected
MOTOR TYPE : 2P 1 Φ Capacitor Motor	

### SPECIFICATION

MODEL NO.	DIMENSION (MM)			RATED VOLTAGE (V)	RATED FREQUENCY (Hz)	RATED CURRENT (A)	INPUT POWER (W)	SPEED (RPM)	MAX. AIR PRESSURE (mmH <sub>2</sub> O)	AIR FLOW		NOISE dM(A) @1M	WEIGHT (g)
	A	B	C							CFM	m <sup>3</sup> /min		
AFS50098V1	98	108	162	120	50/60	0.14/0.12	11/10	2500/2650	2.7/3.6	35.3/38.8	1.0/1.1	36/39	600
AFS50098V2	98	108	162	230	50/60	0.07/0.06	12/11	2500/2650	2.7/3.6	35.3/38.8	1.0/1.1	36/39	600
AFS50198V1	208	170	267	120	50/60	0.23/0.21	18/16	2200/1800	3.1/4.0	67.1/60.0	1.9/1.7	41/37	680
AFS50198V2	208	170	267	120	50/60	0.09/0.08	14/13	2100/1700	3.0/3.9	63.6/56.5	1.8/1.6	41/37	680
AFS50298V1	308	208	377	120	50/60	0.33/0.32	24/24	2350/2100	3.4/4.3	102.4/95.3	2.9/2.7	44/41	1060
AFS50298V2	308	208	377	230	50/60	0.14/0.13	24/24	2250/1800	3.0/4.1	98.9/91.8	2.8/2.6	42/36	1060

### AIR PERFORMANCE

