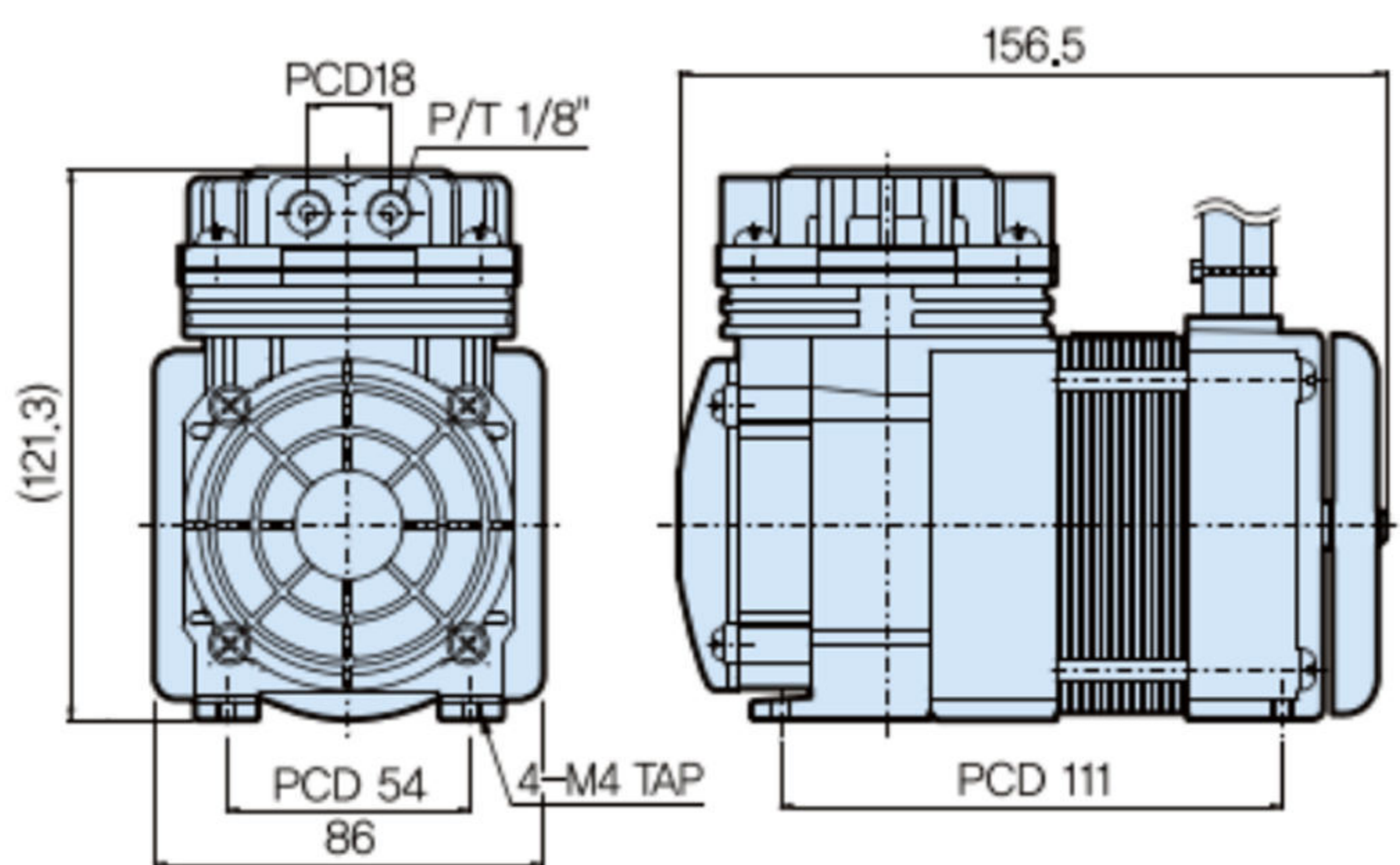


# AC Air Pump

## AC-SD 05



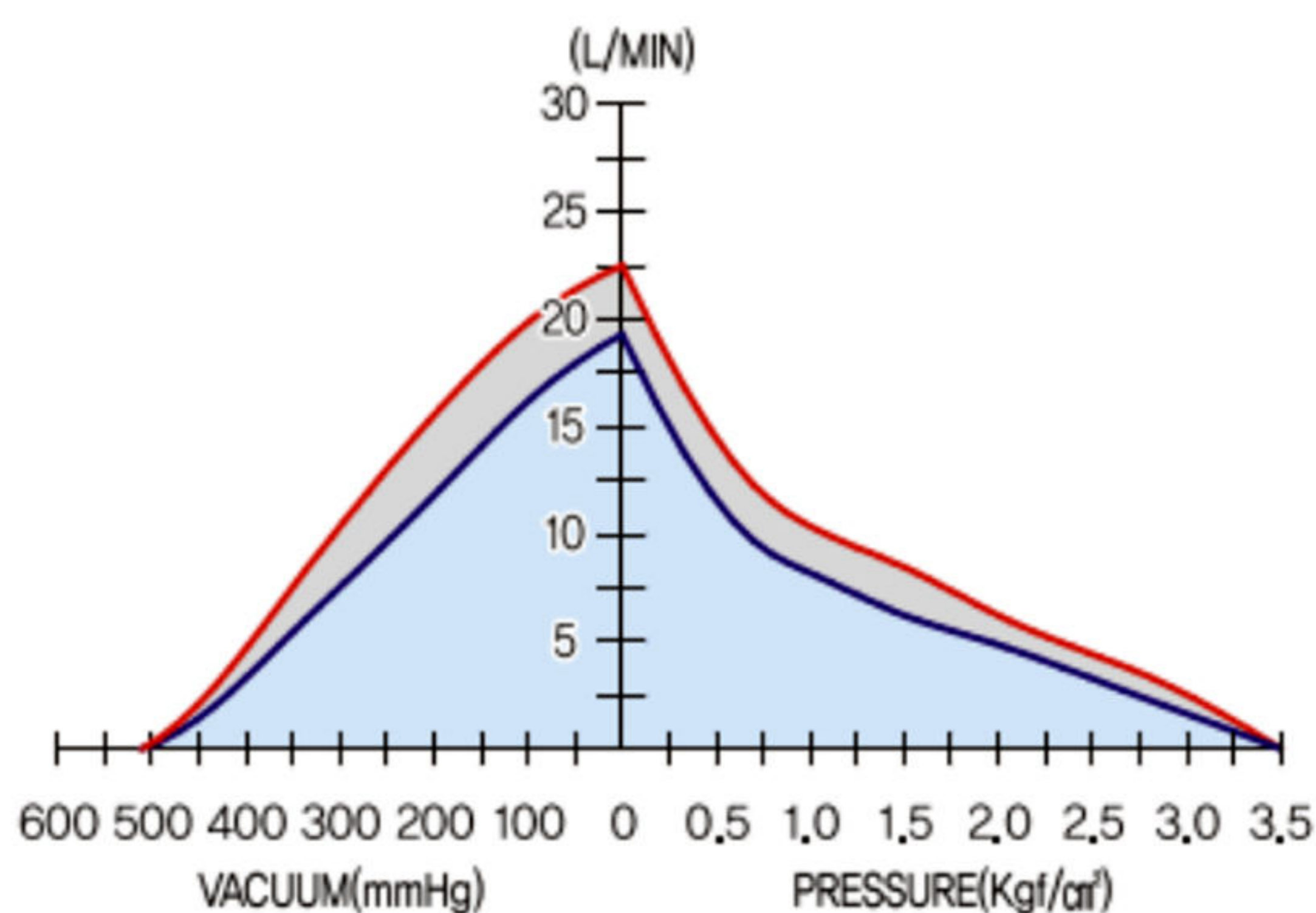
### DIMENSIONS



### PERFORMANCE CURVE

ROOM TEMP : 24°C  
POWER SUPPLY : AC 100V/220V, 50Hz/60Hz

— 60Hz  
— 50Hz



### SPECIFICATIONS

ITEM	MODEL AC-SD05	
Power Supply	AC 220V, 60Hz	
Input	40 W	
Maximum Current	0.2 A	
Maximum Pressure	50psi (at 3.5 kgf/cm <sup>2</sup> )	
Maximum Vacuum	560 mmHg	
Maximum Capacity	25 L/min (396GPH)	
Ambient Temperature	0°C ~ 50°C	
Hose Connected[mm]	Inlet	P/T 1/8"
	Outlet	P/T 1/8"
Dimension	157 * 86 * 122	