

Stepping Motor

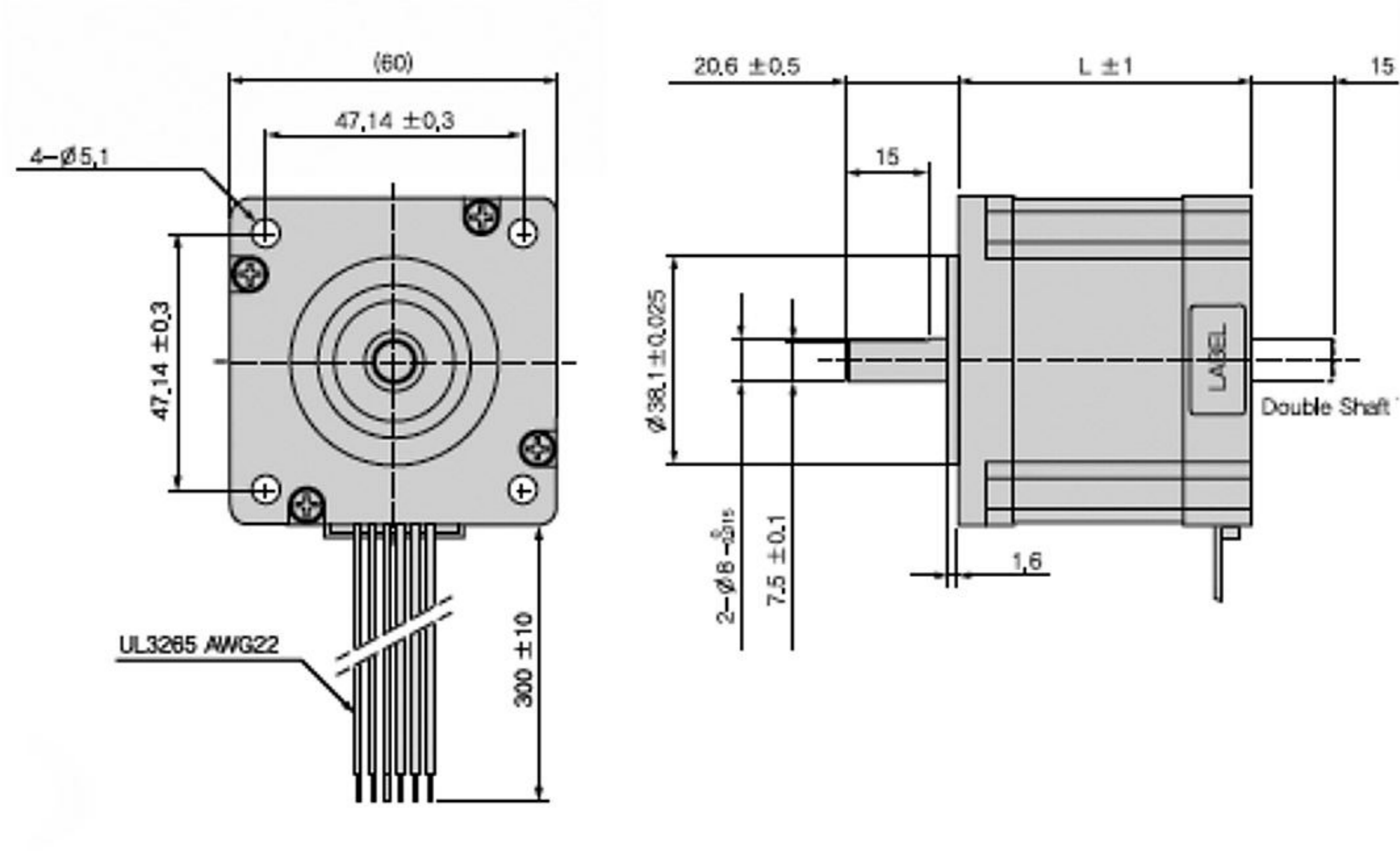
60Q SERIES



제품사진



DIMENSIONS



WIRING DIAGRAM



SPECIFICATION

60Q UNI-POLAR SPECIFICATIONS

Model No. (Drive Sequence)	Step Angle (Deg.)	Rated Voltage (V/Phase)	Rated Current (A/Phase)	Winding Resistance (Ω/Phase)	Inductance (mH/Phase)	Holding Torque (kgf-cm)	Rotor Inertia (g-cm ²)	Motor Length (L=mm)
4S60Q-04254S	1.8	4.2	2.0	2.1	2.9	11.5	400	54
4S60Q-02754S	1.8	2.7	3.0	0.9	1.3	11.5	400	54
4S60Q-04865S	1.8	4.8	2.0	2.4	3.0	15.0	570	65
4S60Q-03065S	1.8	3.0	3.0	1.0	1.4	15.0	570	65
4S60Q-04285S	1.8	4.2	3.0	1.4	2.7	22.0	840	85

60Q BI-POLAR SPECIFICATIONS

Model No. (Drive Sequence)	Step Angle (Deg.)	Rated Voltage (V/Phase)	Rated Current (A/Phase)	Winding Resistance (Ω/Phase)	Inductance (mH/Phase)	Holding Torque (kgf-cm)	Rotor Inertia (g-cm ²)	Motor Length (L=mm)
2S60Q-03054S	1.8	3.0	2.8	1.1	2.9	16.0	400	54
2S60Q-01854S	1.8	1.8	4.0	0.45	1.3	15.0	400	54
2S60Q-03665S	1.8	3.6	2.8	1.2	3.0	21.0	570	65
2S60Q-02065S	1.8	2.0	4.0	0.5	1.4	20.0	570	65
2S60Q-02885S	1.8	2.8	4.0	0.7	2.7	29.0	840	85

CHARACTERISTICS

- DRIVER CHOPPER
- SUPPLY VOLTAGE : DC 24.0V
- 2 PHASE EXCITING : DC
- MOUNTING WITH RUBBER DAMPER

