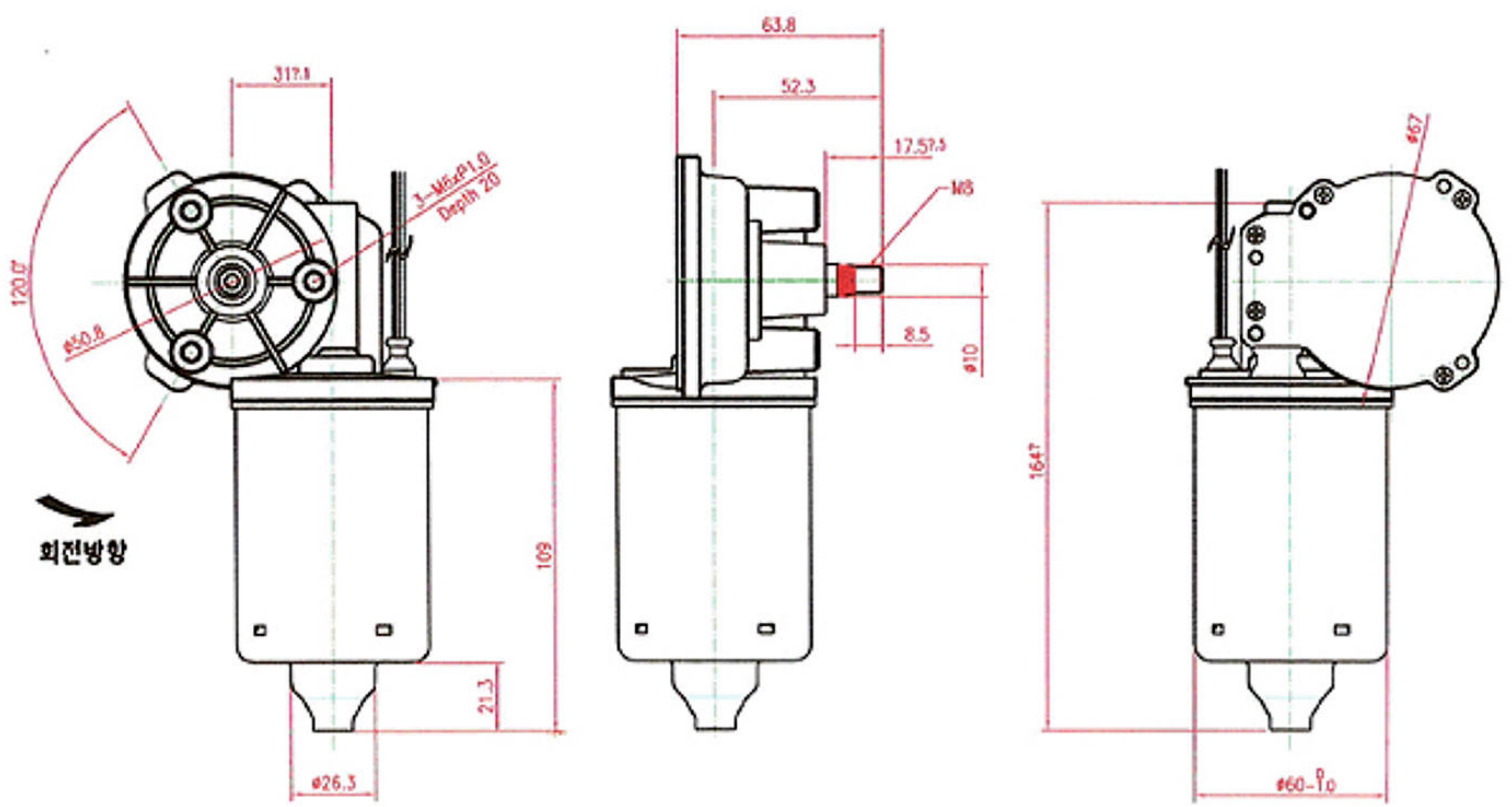


DC GEARED MOTOR

153-55-1650 DC12V



DIMENSIONS



MOTOR SPECIFICATION

ITEM		SPEC.	
RATED VOLTAGE		12V DC	
OPERATING VOLTAGE RANG		DC12~24V	
TEST VOLTAGE		13.5 ±0.2V DC	
INSULATION RESISTANCE(WITH 500V MEGA)			
NO LOAD	CURRENTS		
	SPEED	LOW HIGH	
HOT STATE RATED SPEED (2Nm)	LOW	SPEED	40 ±5 RPM
		CURRENTS	5 A Mox.
	HIGH	SPEED	58 ±5 RPM
		CURRENTS	7 A Mox.
HOT STATE RATED SPEED (7Nm)	LOW	SPEED	35 ±5 RPM
		CURRENTS	7 A Mox.
	HIGH	SPEED	50 ±5 RPM
		CURRENTS	10 A Mox.
STALL	LOW	TORQUE	30 Nm Min.
		CURRENTS	40 A Mox.
	HIGH	TORQUE	22 Nm Min.
		CURRENTS	50 A Mox.
NOISE "A" SCALE		LOW	55 dB[A] Mox.
		HIGH	60 dB[A] Mox.