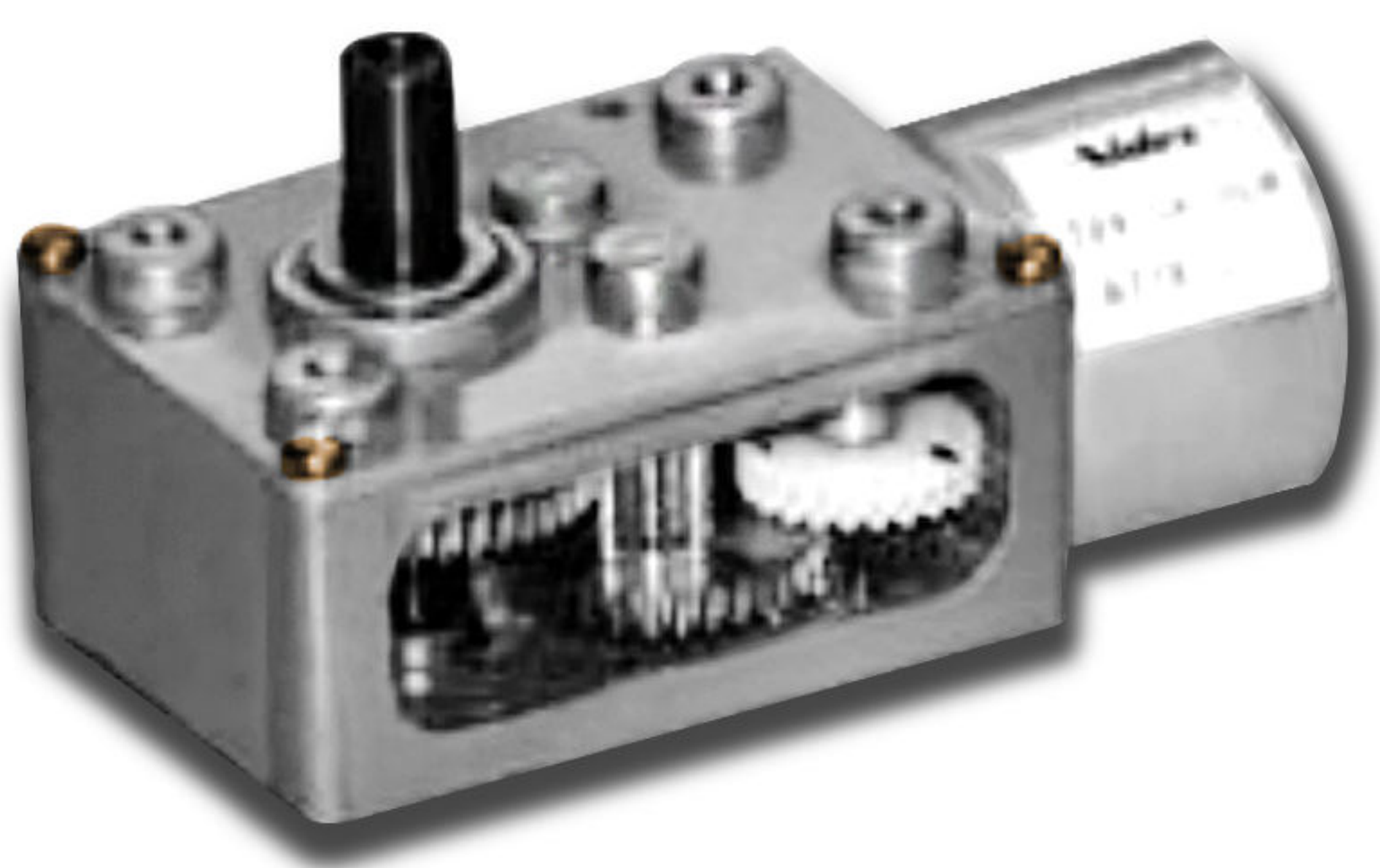


# Nidec small bldc motor

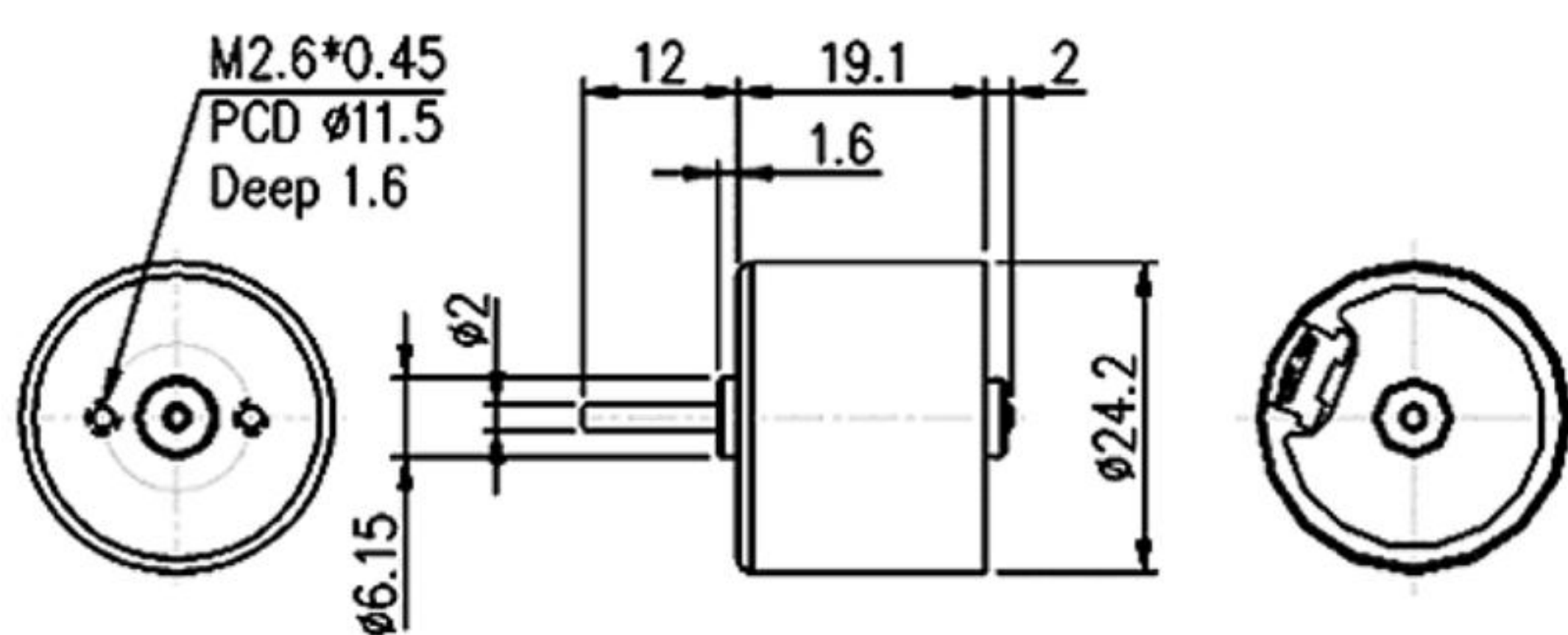
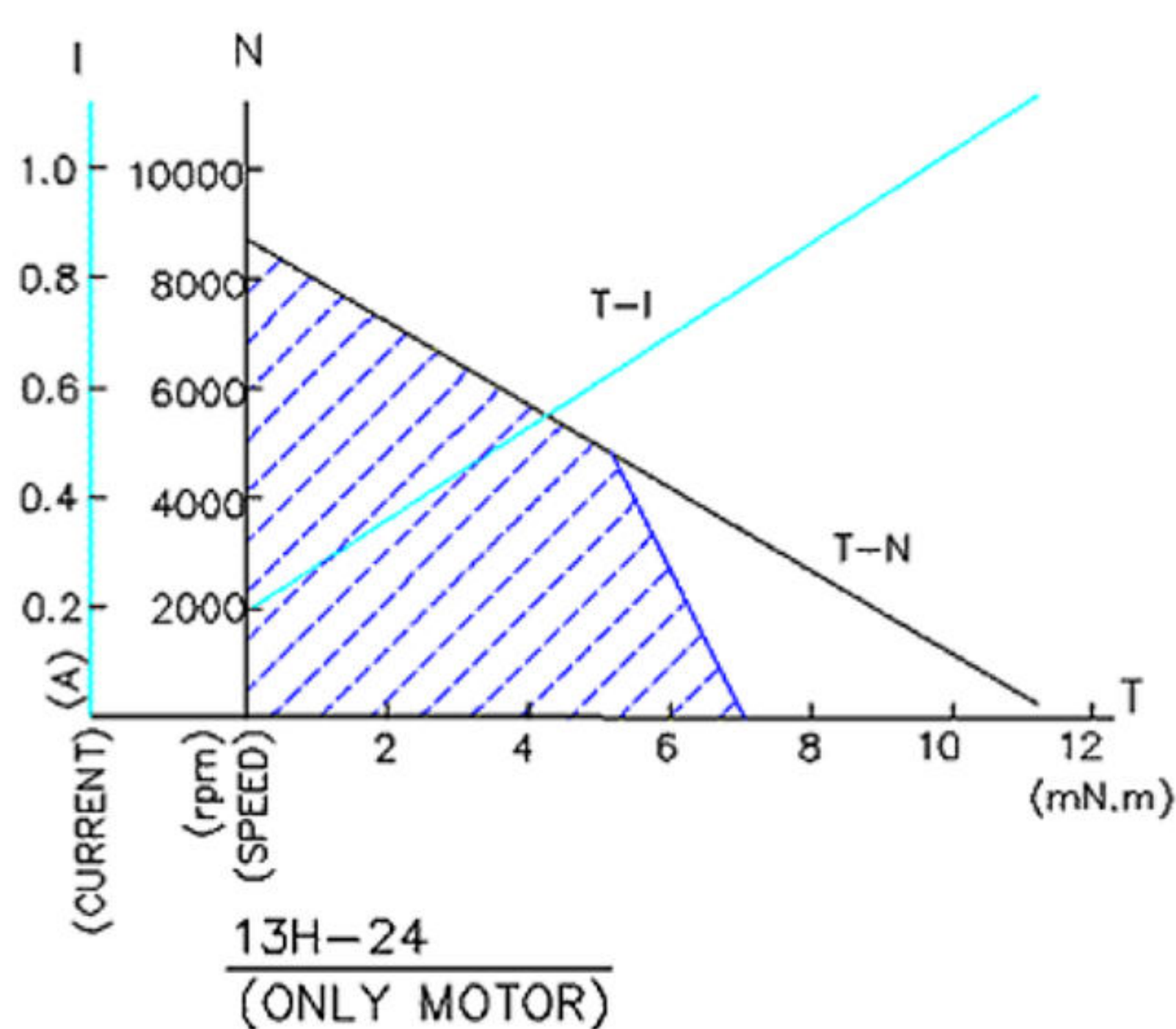
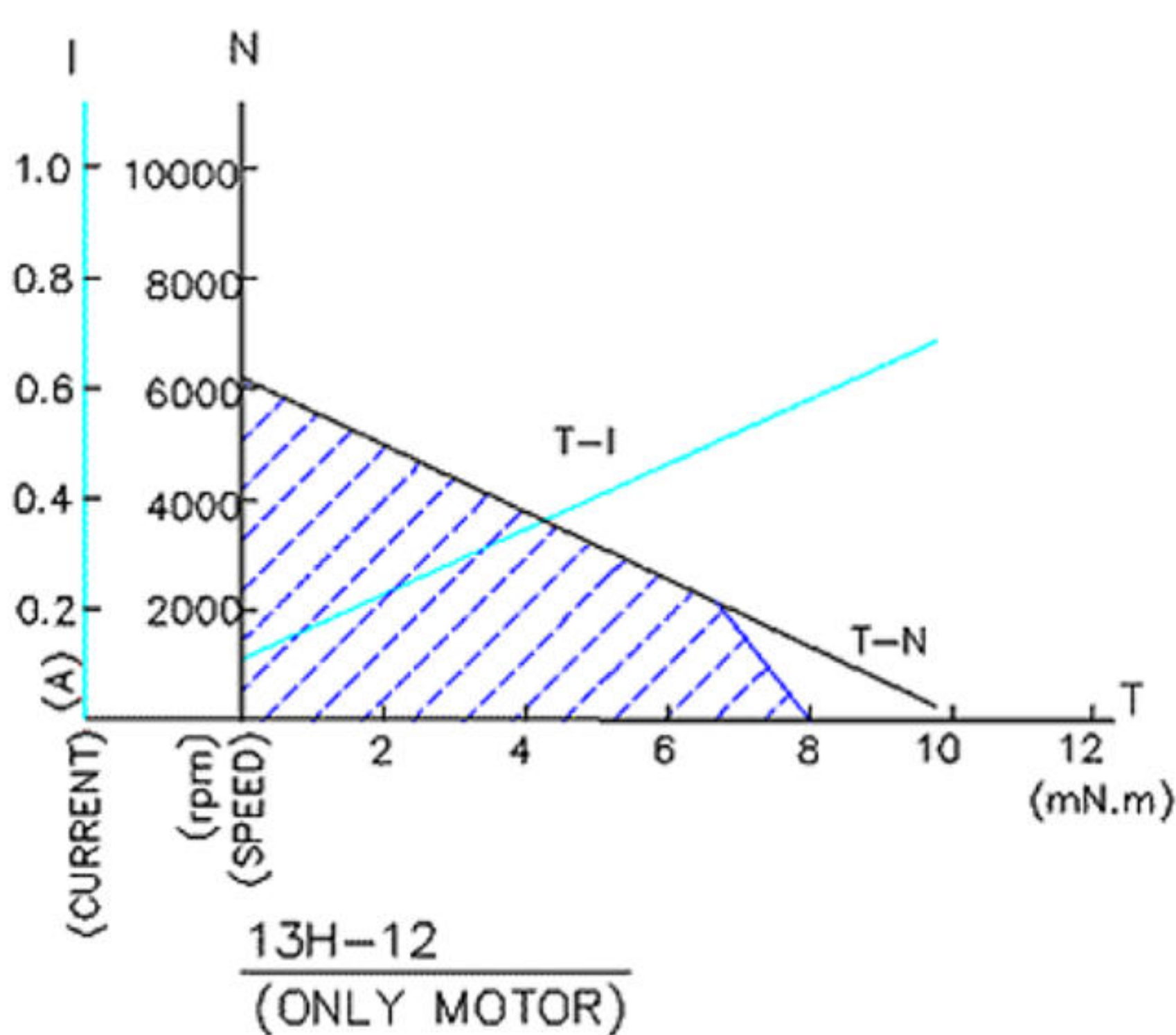
## 13H Series $\varnothing$ (24.2mm)



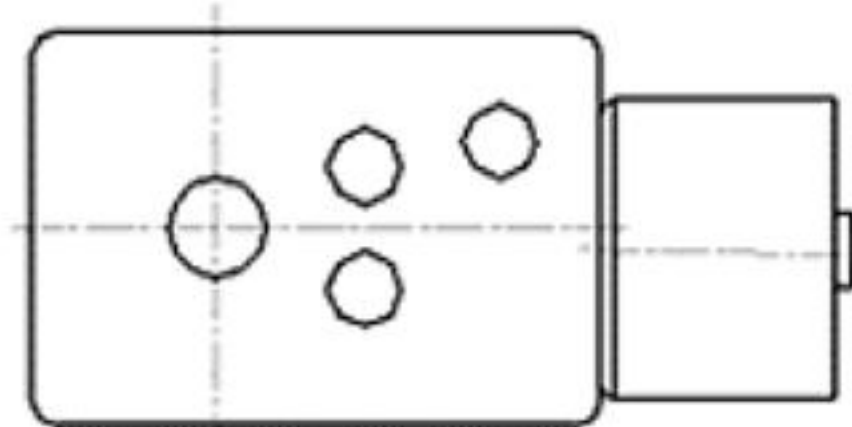
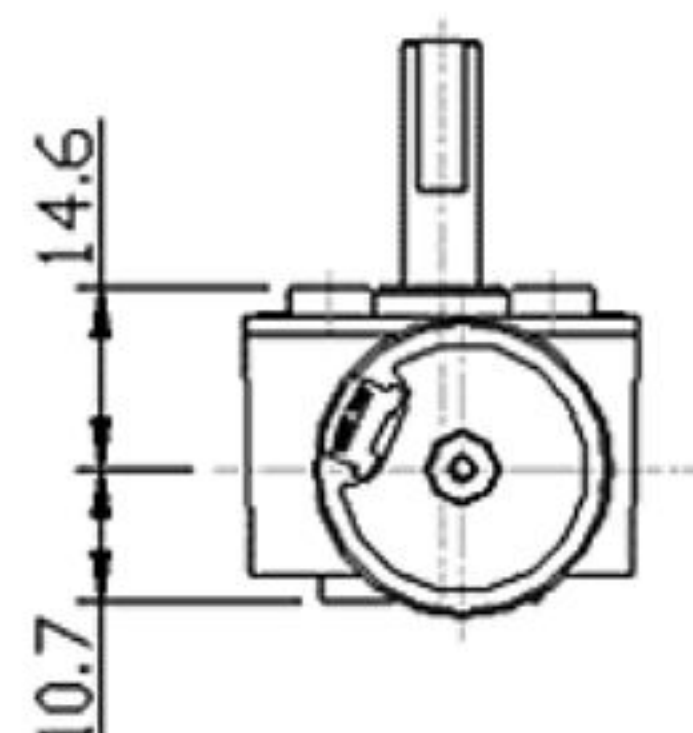
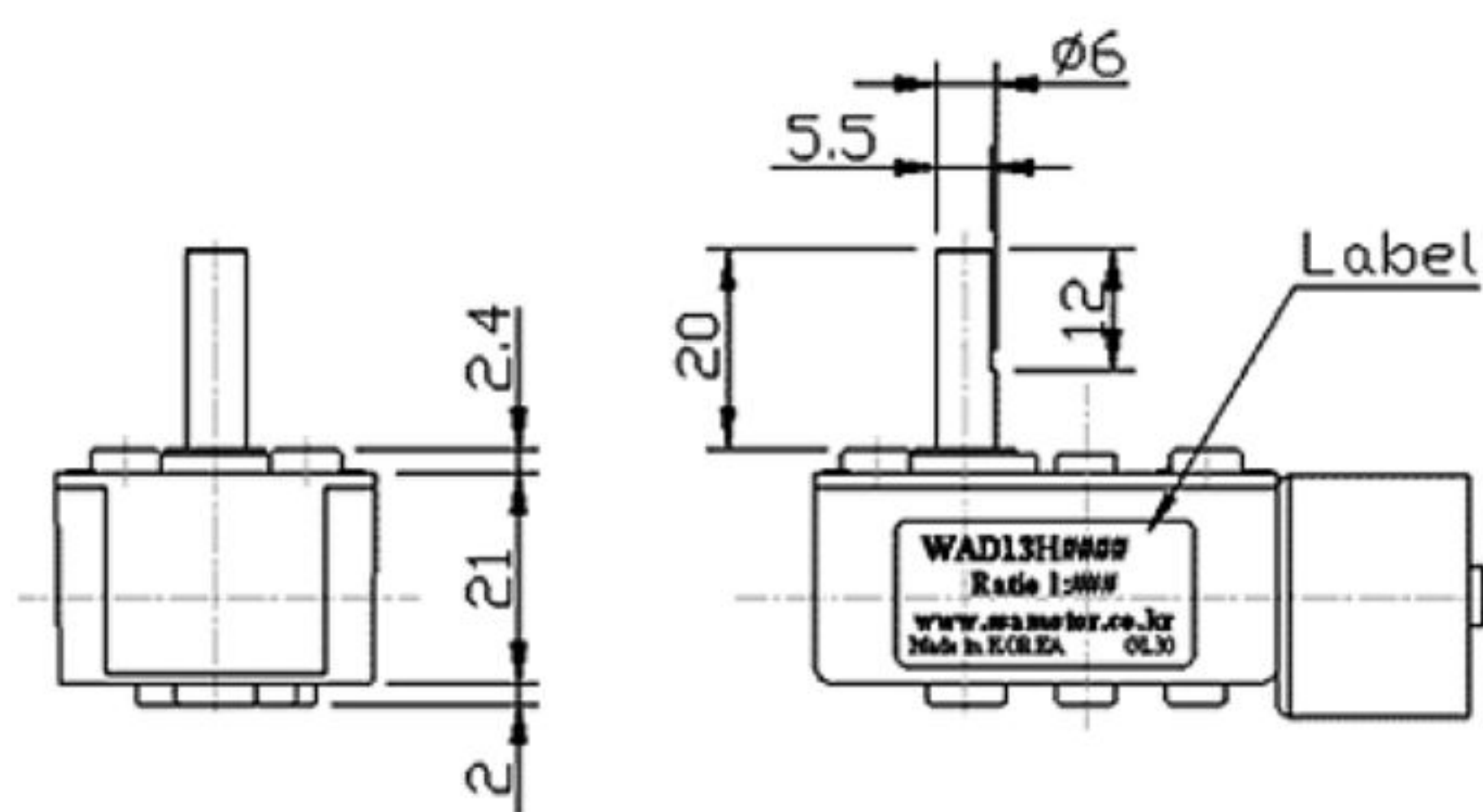
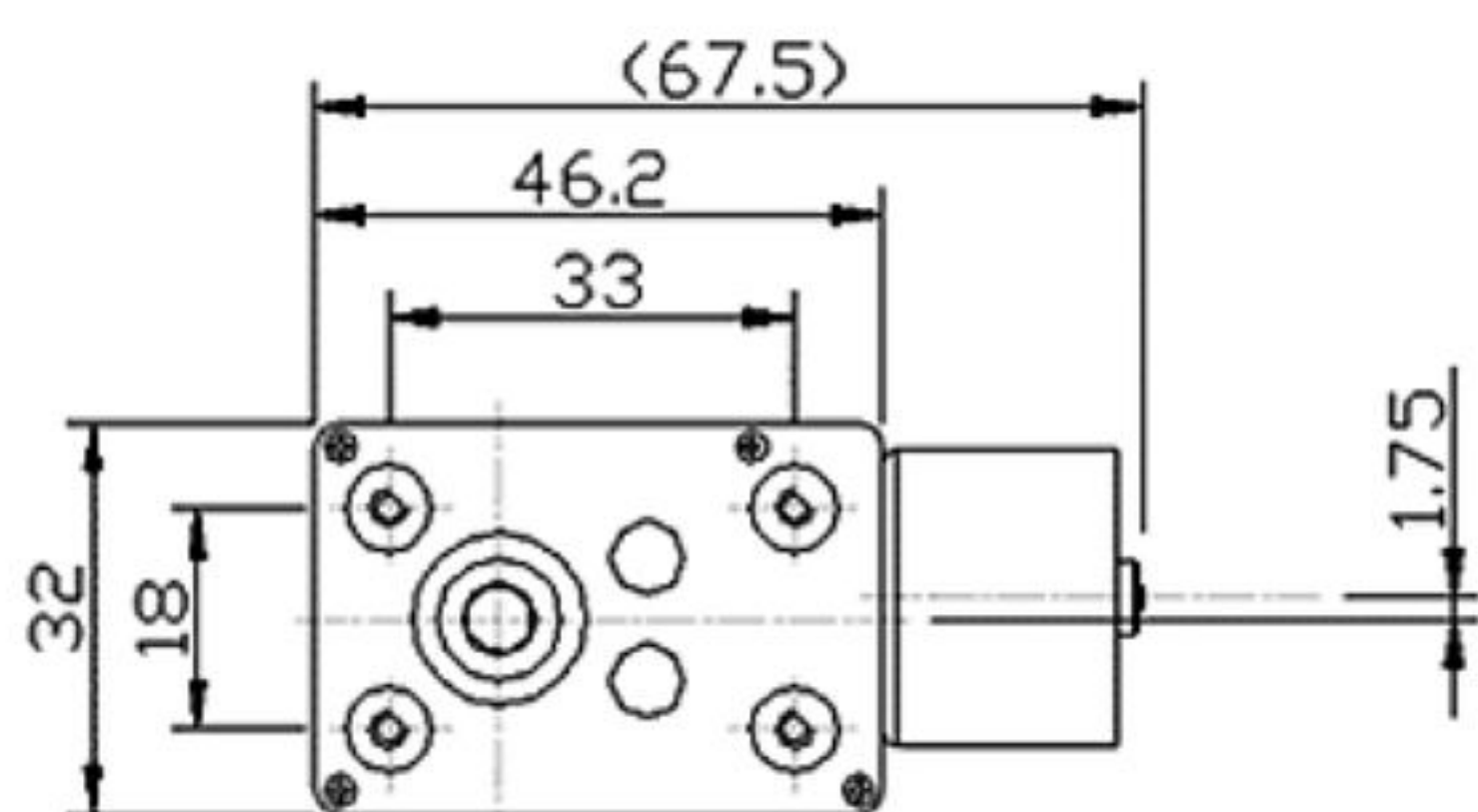
### MOTOR INSTALLATION

Model	Rated Voltage	OutPut Power	No Load Speed	Rated Current	Rated Torque	Rotor Inertia	Operating Temperature	Weight	Life Time
13H-12	12 [VDC]	1.5 [W]	6200 [rpm]	$\leq 0.50$ [A]	62 [g.cm]	0.7 [g]	50 [°C]	30 [g]	5000 Hr
13H-24	24 [VDC]	2.7 [W]	8700 [rpm]	$\leq 0.34$ [A]	53 [g.cm]	0.7 [g]			

### CHARACTERISTICS



### GEARED MOTOR DIMENSION



- Connector  
PWM Type (JSTJBM05B-SRSS-TB)
- 5. GND
  - 6. Vm - Motor Power Supply
  - 3. 3FG - Open Collector circuit
  - 1. ST/SP - Hight=Start/Low=Stop or PWM
  - 4. CW/CCW - Hight=CW/Low=CCW